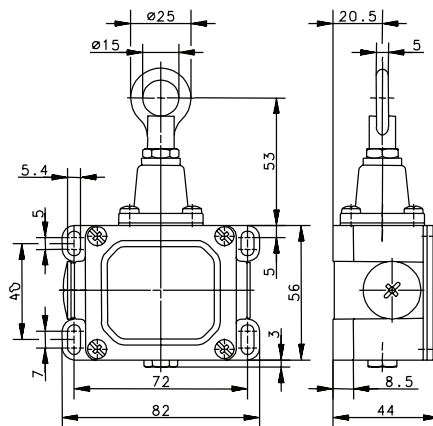


**SD and SID Series**

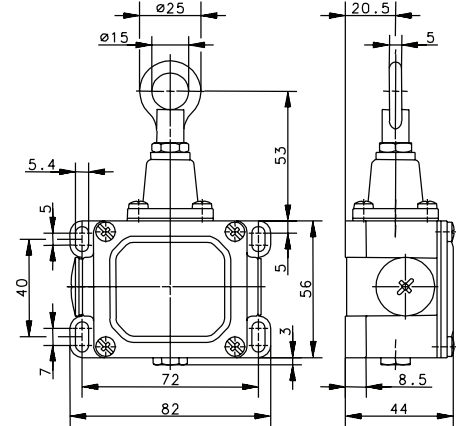


Pull Cable to change contact state, release cable to reset

SD



SID



<b>Variant 1</b>	<b>Article No.</b> <b>Designation</b> Max. span Type	<b>601.1411.856</b> SD-U1 26.2 Ft. (8 Meters) Metal Body without Tension Monitor		<b>601.1431.857</b> SID-UV1Z 13.1 Ft. (4 Meters) Metal Body with Tension Monitor	
<b>Variant 2</b>	<b>Article No.</b> <b>Designation</b> Max. span Type	<b>611.1411.029</b> SD-U1 19.7 Ft. (6 Meters) Metal Body without Tension Monitor		<b>611.1431.022</b> SID-UV1Z 26.2 Ft. (8 Meters) Metal Body with Tension Monitor	
<b>Variant 3</b>	<b>Article No.</b> <b>Designation</b> Max. span Type	<b>611.1411.161</b> SD-U1 19.7 Ft. (6 Meters) Metal Body without Tension Monitor		<b>611.1431.069</b> SID-UV1Z 39.4 Ft. (12 Meters) Metal Body with Tension Monitor	

**Technical Information**

Maximum Switching Voltage	240V	240V
Maximum Switching Amperage	16A	16A
B10d	On Request	On Request
Mechanical Service Life	1 x 10 <sup>6</sup>	1 x 10 <sup>6</sup>
Switching Frequency	≤ 20/min	max. 20/min
Operating Temperature	-30 °C to +80 °C	-30 °C to +80 °C
Protection Rating	IP65	IP65
Utilization Category	AC-15, U <sub>e</sub> /I <sub>e</sub> 240 V / 3 A	AC-15, U <sub>e</sub> /I <sub>e</sub> 240 V / 3 A
Rate Insulation Voltage	400VAC	400VAC
Approvals		

Drawing dimensions in mm