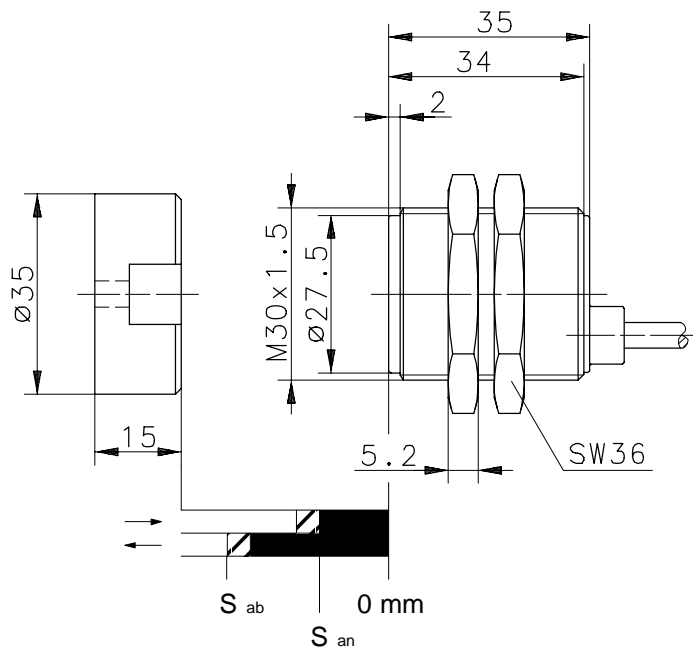
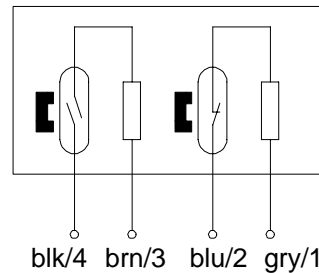


Type: **MAK-5336-6**Art.-No.: **649.0653.311**

25.01.99/0129

**Comments:**

These coded magnetic systems offer manipulation-safe locking and can not be actuated with simple tools like depolarized magnets.

Wiring Diagram:**Magnetic System:**

	TK-43-CD
S _{an} [mm]	3
S _{ab} [mm]	10

Technical Data

Max. Voltage	:	DC 30 V
Mech. Lifetime	:	3 x 10 ⁸ operations, depending on load
Repeat Accuracy	:	± 0,1 mm under same geometrical conditions at the same temperature
Temperature range	:	-5 °C ... +70 °C
Protection	:	IP 67 according to IEC 529, EN 60529 (NEMA 4)
Output function	:	N.O., N.C. combined (other functions on request)

Mechanical Features

Housing	:	PA 6; encapsulated reed contact
Connection	:	Cable 4 x 0,25 mm ² x 6 m; PVC – Outer jacket, black; (other lengths upon request)
Application	:	monitoring system of Type MÜZ-x02/xxx optional assembly position