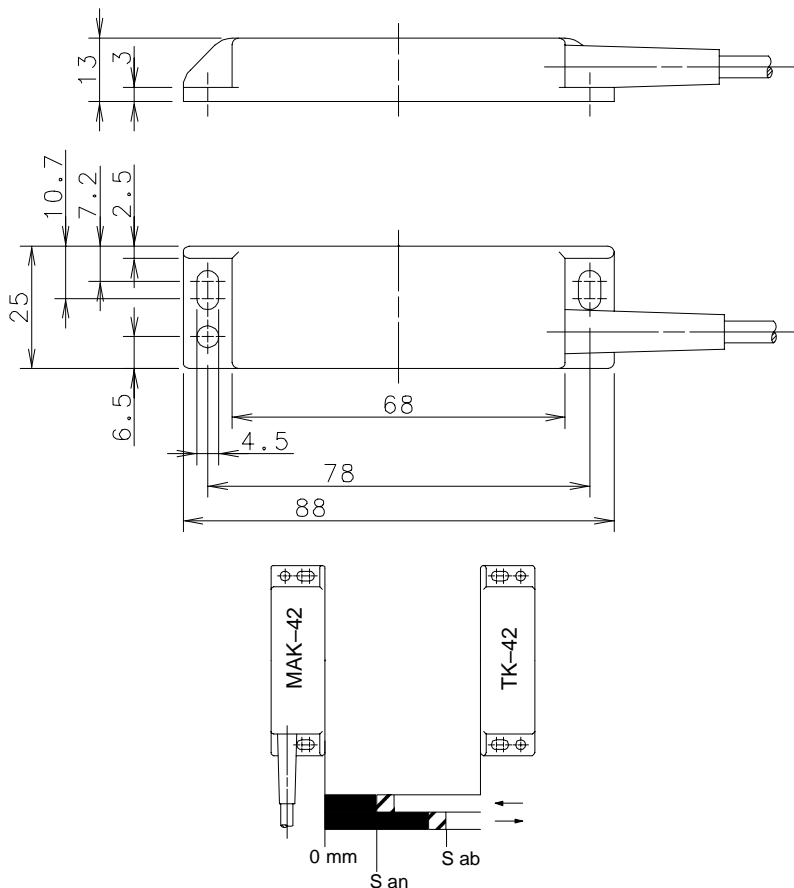


**BERNSTEIN**Division  
Sensortechnik**Technical Data**

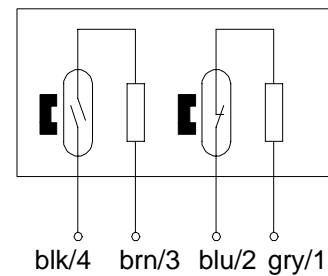
Coded Magnetic System

Type: **MAK-4236-6**Art.-No.: **649.0642.302**

30.04.96/0419

**Comments:**

These coded magnetic systems offer manipulation-safe locking and can not be actuated with simple tools like depolarized magnets.

**Wiring Diagram:****Magnetic System:**

	TK-42-CD
$S_{an}$ [mm]	$\geq 5$
$S_{ab}$ [mm]	$\leq 14$

**Technical Data**

Max. Voltage	:	DC 30 V
Actuation	:	coded magnetic system of Type <b>Tx-42-CD-xx</b> preferredly 640.2042.301
Mech. Lifetime	:	$3 \times 10^8$ switchings, depending on load
Resetability	:	$\pm 0,1$ mm under same geometrical conditions at the same temperature
Temperature range	:	$-5$ °C ... $+70$ °C
Protection	:	IP 67 acc. to DIN 40050
Output function	:	N.O., N.C. combined (other functions on request)

**Mechanical Features**

Housing	:	PA 6; encapsulated reed contact
Connection	:	cable $4 \times 0,25$ mm <sup>2</sup> x 6 m; PVC; (other lengths upon request)
Application	:	monitoring system of Type <b>MÜZ-x02/xxx</b> optional assembly position

Data Sheets are subjects to change  
without further notice.**Hans Bernstein GmbH & Co.**  
Division SensortechnikRöcker Str. 16  
Tel.: 05722/208-0D-31675 Bückeburg  
Telefax: 05722/208-637