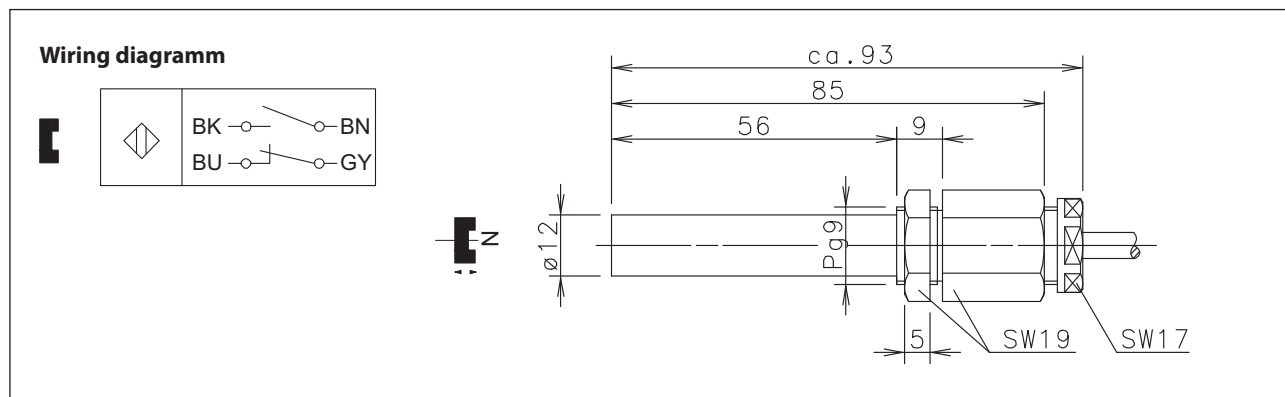


Magnetic switch Series MA-26

Description **MAK-2626-2**

Article number **6420626354**



Identifying characteristics in accordance with EN 60947-5-1 and EN 62246-1

Electrical data		
Assured operating distance	S_a	16 mm
Switching element function		N.O., N.C combined
Max. switching voltage		30 V AC/DC
Max. switching current		0,25 A
Mechanical lifetime		3×10^8 switchings, however, according to load resetability
Repeat accuracy	R	$\pm 0,1$ mm under same geometrical conditions at the same temperature
Max. Release point		40 mm
Shock		50 g (11 ms / $\frac{1}{2}$ Sinewave)
Vibration		30 g (50 - 2000 Hz)
Corresponding magnet		T-62 N/S

Mechanical data	
Enclosure	PA 6, red; encapsulated reed contact
Ambient air temperature	-5 °C ... +70 °C
Type of protection	IP67 acc. ICE 529, EN 60529
Termination type	cable 4 x 0,25 mm ² x 2 m ± 5 %; PVC -outer jacket black
Assembly position	optional (assembly on iron means reduction of switch distance)

EU Conformity	
	acc. to directive 2014/30/EU