

Technical Data

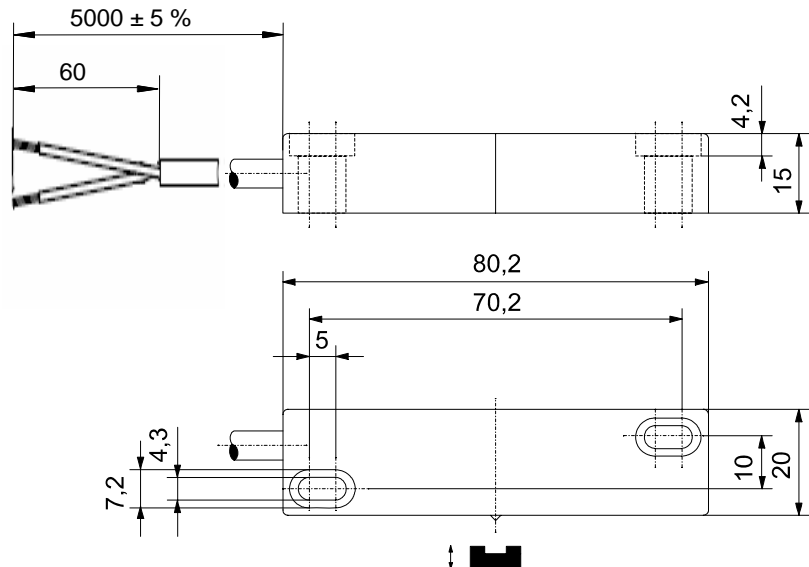
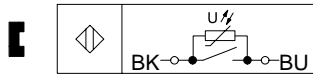
Magnetic switch

Series MA-12

Type designation **MAK-1212-F-5-VDR**

Item number **6414212404**

Wiring diagram



Identifying characteristics in accordance with EN 60947-5-1 and EN 62246-1

Electrical data

Assured operating distance	S_a	22 mm
Switching element function		N.O.
Reed contact:		
max. switching voltage		250 V DC
max. switching current		3,0 A
max. switching capacity		100 VA
mechanical lifetime		3×10^8 switchings, however, according to load resetability
Repeat accuracy	R	$\pm 0,1$ mm
Max. Release point		under same geometrical conditions at the same temperature 49 mm
Shock		50 g (11 ms, $\frac{1}{2}$ Sinus wave)
Vibration		35 g (10 – 1000 Hz)
Corresponding magnet		TK-21-12
Integrated overvoltage protection		VDR

Mechanical data

Enclosure	PA 6.6, red; encapsulated reed contact
Ambient air temperature	-5 °C ... +70 °C
Type of protection	IP67 according to IEC 529, EN 60529
Termination type	cable 2 x 0,5 mm ² ; PVC -outer jacket black;
Assembly position	optional (assembly on iron means reduction of switch distance)

EU Conformity

acc. to Directive 2006 / 95 / EC

This document will not become the contractual basis; the details included herein do not constitute any descriptions of expected conditions, so that warranties/claims for defects on account of possible variations of the actual from the here described condition are excluded. Subject to modifications and amendments.

Date of issue: 01.04.2011 / Page 1 of 1
Document: 6414212404_en.doc / Last update: 3 / 0190-11