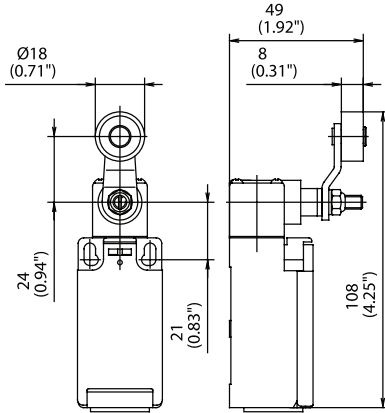
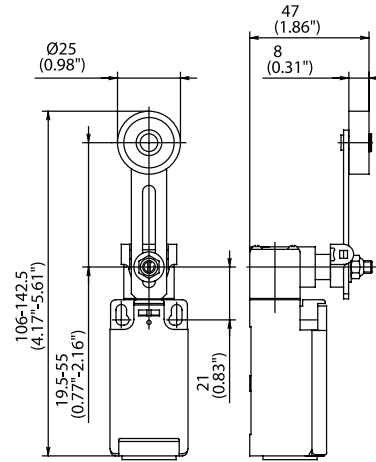


I88 Series

AH (Form A)



AV



Switching Operation	Slow Action	Snap Action	Slow Action	Snap Action
1 NC / 1 NO Contacts	608.6135.033 I88-U1Z AH 	608.6185.034 I88-SU1Z AH 	608.6136.037 I88-U1 AV 	608.6186.038 I88-SU1 AV
2 NC Contacts	608.6835.059 I88-A2Z AH 	-	608.6836.131 I88-A2 AV 	-
2 NO Contacts	608.6835.116 I88-E2 AH 	-	-	-
1 NC / 1 NO Contacts Overlapping	618.6335.628 I88-UV1Z AH 	-	-	-

Replacement actuator:

391.8351.166

391.8360.984

Technical Information

	Slow Action	Snap Action
Maximum Switching Voltage	240V	240V
Max. Switching Amps (up to)*	10A	10A
B10d (up to)*	20 Million	20 Million
Mechanical Service Life (up to)*	10 x 10 ⁶	10 x 10 ⁶
Switching Frequency	≤ 100/min	≤ 100/min
Operating Temperature	-30 °C to +80 °C	-30 °C to +80 °C
Protection Rating	IP65	IP65
Utilization Category (up to)*	AC-15, Ue/Ue 240V 3A	AC-15, Ue/Ue 240V 3A
Rate Insulation Voltage	250VAC	250VAC

	Slow Action	Snap Action
Maximum Switching Voltage	240V	240V
Max. Switching Amps (up to)*	10A	10A
B10d (up to)*	20 Million	20 Million
Mechanical Service Life (up to)*	10 x 10 ⁶	10 x 10 ⁶
Switching Frequency	≤ 100/min	≤ 100/min
Operating Temperature	-30 °C to +80 °C	-30 °C to +80 °C
Protection Rating	IP65	IP65
Utilization Category (up to)*	AC-15, Ue/Ue 240V 3A	AC-15, Ue/Ue 240V 3A
Rate Insulation Voltage	250VAC	250VAC

* Depending on switching system - see technical information for details



Special features/variants (on request)

- Available with black enclosure
- Available with different actuating directions
- With steel or different diameter roller
- Bent or straight lever in different lengths

Special features/variants (on request)

- Available with black enclosure
- Available with different actuating directions
- With steel or different diameter roller
- Bent or straight lever in different lengths

Drawing dimensions in mm