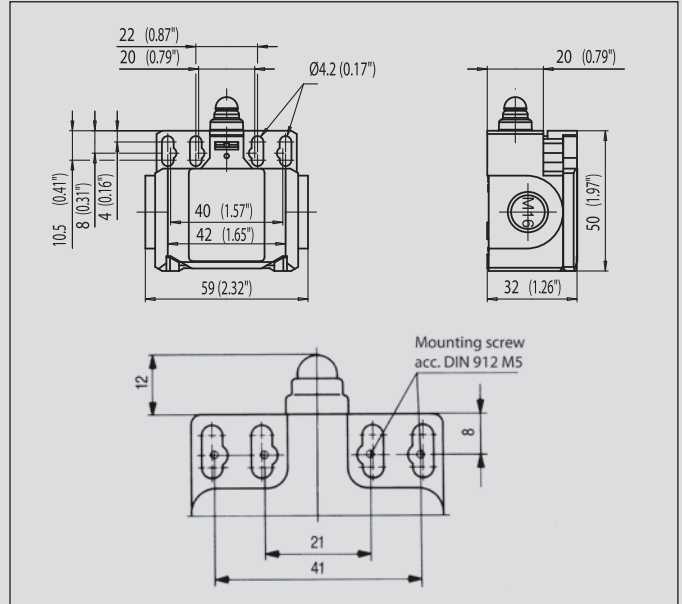


Insulation-Enclosed Limit Switches

Bi2



Recommended use

Thanks to its two cable entries, this switch is ideal for use in series-connected monitoring facilities.

Product advantages

- Protection class IP65 to VDE 0470 T1
- Enclosure and cover PA 6, self-extinguishing (UL-94 V0)
- Actuator can be repositioned by 4 x 90°
- Cable entry 2x M16 x 1.5
- Connection designation conforming to DIN EN 50013

Options

- Available with M12 connector
- AS interface variants available
- Preassembled with customer-specific cables and connectors on request

Design layout

- Slow-action and snap-action contacts
- Versions: 1 NC / 1NO, 2 NC
- All NC contacts with ⊕ in the circuit diagram are positively opening contacts
- Type: Zb (galvanically isolated changeover contact)

Mounting

- Two M4 adjustment slots (distance between centres 22 mm)
- Two M4 adjustment slots (distance between centres 42 mm)
- Two M5 holes (distance between centre 21 mm) for safety applications
- Two M5 holes (distance between centre 41 mm) for safety applications without additional securing element
- Front mounting

Installation advantages

- Cover opening range 135° (cover can also be detached from hinge)
- Screw connections with self-lifting clamping plates
- Easy-action cover lock (close and press)
- Cover additionally secured with screw
- 2 cable entries for through-wiring

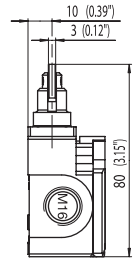
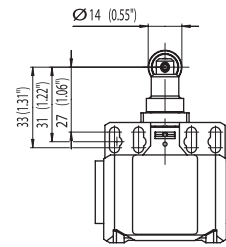
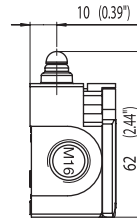
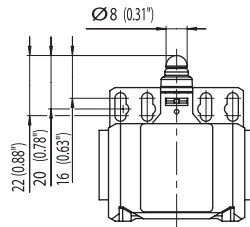
Technical data

Electrical data		
Rated insulation voltage	U _i max.	400 V AC
Conventional thermal current ^①	I _{the}	10 A
Rated operating voltage	U _e max.	240 V AC
Utilisation category		AC15, U _e /I _e 240 V/3 A
Short-circuit protection (up to) ^①		Fuse 10 A gL/gG
Protection class		II, Insulated
Mechanical data		
Enclosure material		Thermoplastic, glass fibre-reinforced
Ambient temperature		-30 °C to +80 °C
Mechanical service life (up to) ^①		10 x 10 ⁶ switching cycles
B10d (up to) ^①		20 Mio.
Switching frequency		≤ 100/min.
Type of connection		Screw connections
Conductor cross sections		Single-wire 0.5 – 1.5 mm ² or Stranded wire with ferrule 0.5 – 1.5 mm ²
Cable entry		2 x M16 x 1,5
Protection class		IP65 conforming to EN 60529; DIN VDE 0470 T1
Standards		
VDE 0660 T100, DIN EN 60947-1, IEC 60947-1		
VDE 0660 T200, DIN EN 60947-5-1, IEC 60947-5-1		

① Depending on switching system. See Table on Pages 72 – 75.

W

RIW



Switching operation

Slow-action

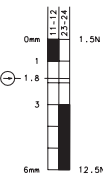
Snap-action

Slow-action

Snap-action

1 NC / 1 NO contact

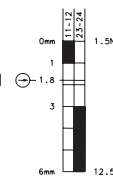
6085103100
BI2-U1Z W



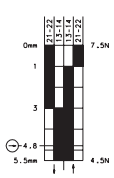
6085153107
BI2-SU1Z W



6085117101
BI2-U1Z RIW



6085167108
BI2-SU1Z RIW



2 NC contacts

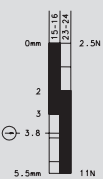
6085803116
BI2-A2Z W



2 NO contacts

1 NC / 1 NO contact
Overlapping

6085303115
BI2-UV1Z W



Approvals



Replacement actuator: -

Replacement actuator: -

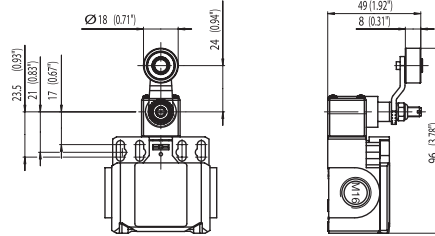
Special features / variants
(on request)

Special features / variants
(on request)

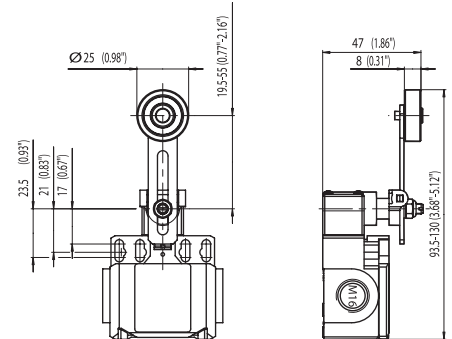
- With steel roller

Bi2

AH



AV



Switching operation

Slow-action

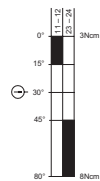
Snap-action

Slow-action

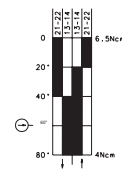
Snap-action

1 NC / 1 NO contact

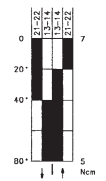
6085135104
Bi2-U1Z AH



6085185111
Bi2-SU1Z AH



6085186112
Bi2-SU1 AV



2 NC contacts

2 NO contacts

**1 NC / 1 NO contact
Overlapping**

Approvals



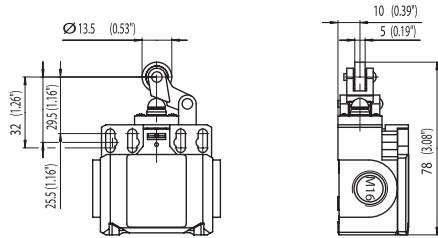
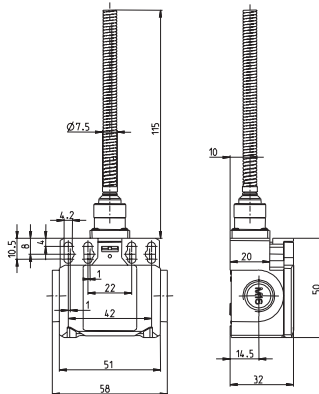
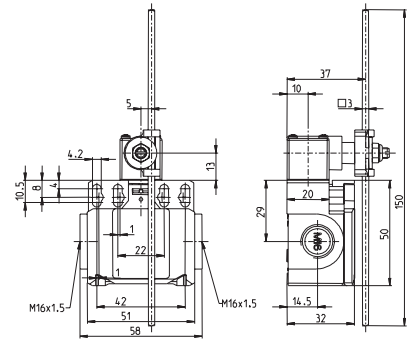
Replacement actuator: 3918351166

Replacement actuator: 3918360984

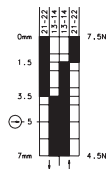
Special features / variants
(on request)

- Available with different actuating directions
- With steel roller
- Various roller diameters
- Cranked or straight lever
- Various lever lengths

Special features / variants
(on request)

HW RO13.5

FF

AD

Slow-action
Snap-action

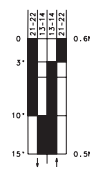
6085171109
BI2-SU1Z HW
RO13.5


Slow-action
Snap-action

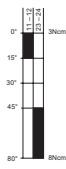
6185140104
BI2-U1 FF



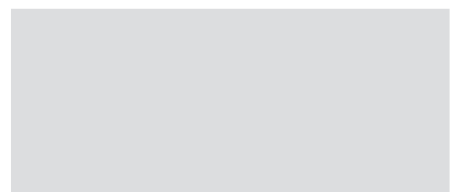
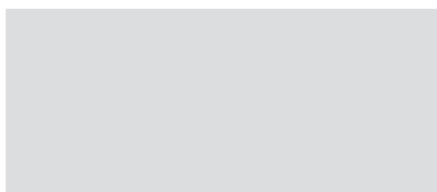
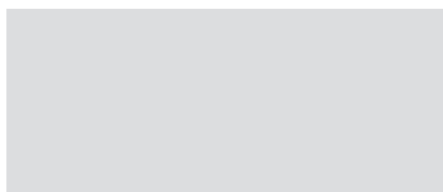
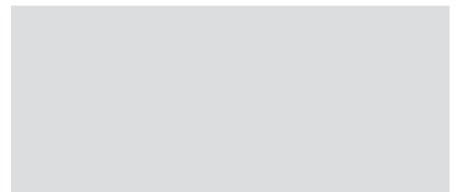
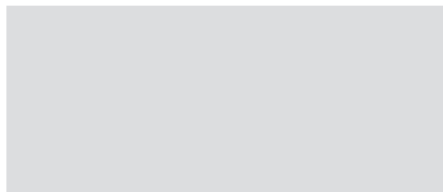
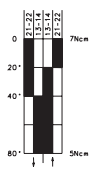
6085190114
BI2-SU1 FF


Slow-action
Snap-action

6085137106
BI2-U1 AD



6085187113
BI2-SU1 AD



Replacement actuator: 3918190681

Replacement actuator: 3918401031

Replacement actuator: 3918370986

Special features / variants
(on request)

Special features / variants
(on request)

Special features / variants
(on request)

- Available with different spring lengths
- Spring rod
- Various spring versions