

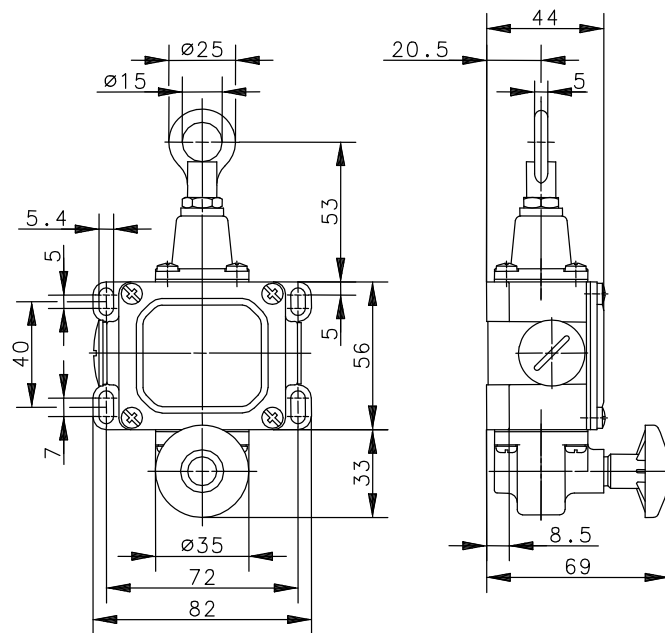
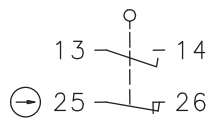
Rope pull switch

Series SID

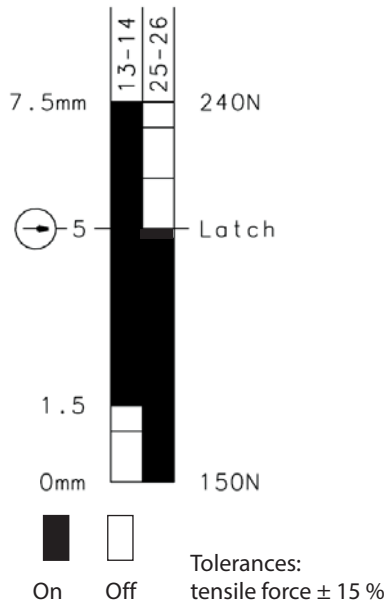
Description **SID-UV1Z P-RAST**

Article number **6111431060**

Operating symbol



Operating diagram



Elektrische Daten		
Rated insulation voltage	U_i	400 V AC
Rated impulse voltage	U_{imp}	4 kV
Conv. thermal current	I_{the}	16 A
Rated operational voltage	U_e	240 V
Utilization category		AC-15, U_e / I_e 240 V / 10 A
Direct opening action	⊕	acc. to IEC/EN 60947-5-1, Annex K
Short-circuit protective device		Fuse 16 A gG
Protection class		I

Mechanical data	
Enclosure	Al-die cast
Cover	Al-plate
Actuator	Pull ring (Zn-die cast)
Ambient air temperature	-30 °C ... +80 °C
Contact type	1 NC (locked), 1 NO (Zb)
Reset facility	Push button
Mechanical life	1 x 10 ⁶ operating cycles
Switching frequency	≤ 20 / min.
Assembly	4 x M5
Connection	4 screw terminals (M4)
Conductor cross-sections	Solid: 0,5 ... 1,5 mm ² Litz wire with ferrules: 0,5 ... 1,5 mm ²
Cable entrance	2 x M20 x1,5
Weight	≈ 0,52 kg
Installation position	Operator definable
Protection type	IP65 acc. to IEC/EN 60529

Standards	
	VDE 0660 T100, DIN EN 60947-1, IEC 60947-1
	VDE 0660 T200, DIN EN 60947-5-1, IEC 60947-5-1

EU Conformity	
	acc. to directive 2006/95/EC

Approvals	
	cCSA _{US} A300 (same polarity)
	UL
	CCC

Notes	
The degree of protection (IP code) specified applies solely to a property closed cover and the use of an equivalent cable gland with adequate cable.	