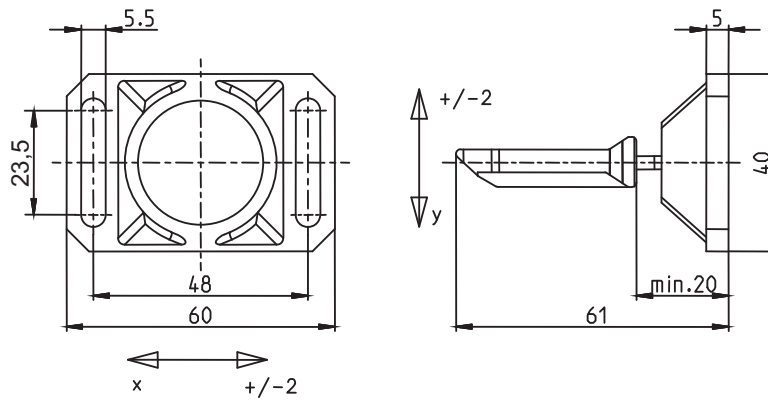


## Actuator

Series for Safety switches (SLK, SLM, ENK-VTU, ENM2-VTW)

Description **BETÄTIGER A4 KPL.**

Article number **3911702231**



### Mechanical data

Actuator	Steel/PA
Enclosure	GD-Zn
Minimum actuating radius	$R_{min}$ 350 mm

### Notes

Changing the position of the spring loaded key (in steps of  $4 \times 90^\circ$ ) is only possible when the whole actuator is not yet mounted to the ground.