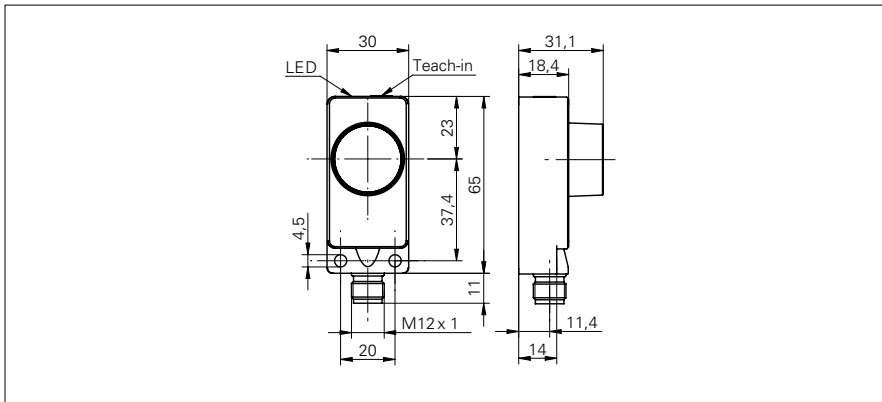


Ultrasonic distance measuring sensors

UNDK 30 (Sd = 2000 mm)

sample drawing



general data

scanning range sd	200 ... 2000 mm
scanning range close limit Sdc	200 ... 2000 mm
scanning range far limit Sde	200 ... 2000 mm
repeat accuracy	< 1 mm
resolution	< 0,5 mm
response time ton	< 150 ms
release time toff	< 150 ms
temperature drift	< 2 % of distance to target So
sonic frequency	200 kHz
adjustment	Teach-in
alignment aid	target indication flashing
light indicator	yellow LED / red LED

electrical data

voltage supply range +Vs	15 ... 30 VDC
output current	< 20 mA
residual ripple	< 10 % Vs
short circuit protection	yes
reverse polarity protection	yes

voltage output

current consumption max. (no load)	35 mA
output signal	0 ... 10 V / 10 ... 0 V

current output

current consumption max. (no load)	55 mA
output signal	4 ... 20 mA / 20 ... 4 mA
load resistance +Vs max.	< 1100 Ohm
load resistance +Vs min.	< 400 Ohm

mechanical data

type	rectangular
housing material	polyester / die-cast zinc
width / diameter	30 mm
height / length	65 mm
depth	31 mm

sample picture



Ultrasonic distance measuring sensors

UNDK 30 (Sd = 2000 mm)

ambient conditions

operating temperature	-10 ... +60 °C
protection class	IP 67

order reference	output circuit	connection types
UNDK 30I6104/S14	current output	connector M12
UNDK 30U6104	voltage output	cable, 2 m
UNDK 30U6104/S14	voltage output	connector M12