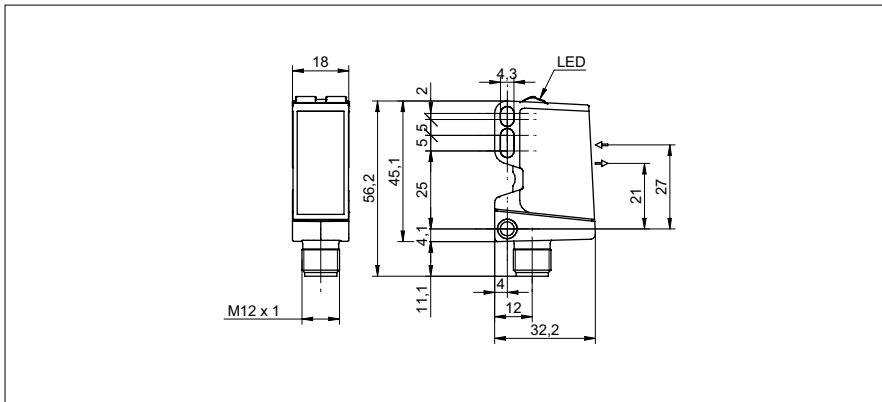


**Retro-reflective sensors**

**O500.RR-11096090**

**dimension drawing**



**general data**

type	retro-reflective sensor
light source	pulsed red LED
actual range $S_b$	7,5 m
nominal range $S_n$	8 m
polarization filter	yes
light indicator	LED yellow
power on indication	LED green
sensitivity adjustment	no
wave length	630 nm
suppression of reciprocal influence	yes
alignment optical axis	$< 1^\circ$

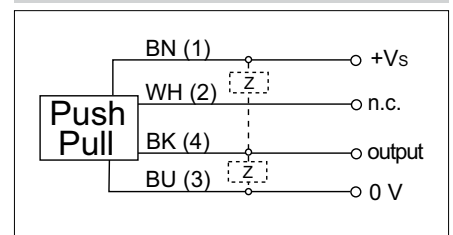
**photo**



**electrical data**

response time / release time	$< 0,49$ ms
voltage supply range +Vs	10 ... 30 VDC
current consumption max. (no load)	40 mA
current consumption typ.	30 mA
voltage drop $V_d$	$< 3$ VDC
output function	light operate
output circuit	push-pull
output current	$< 100$ mA
short circuit protection	yes
reverse polarity protection	yes

**connection diagram**



**mechanical data**

width / diameter	18 mm
height / length	45 mm
depth	32 mm
type	rectangular
housing material	plastic (ASA, PMMA)
front (optics)	PMMA
connection types	connector M12 3 pin

**ambient conditions**

operating temperature	-25 ... +60 °C
protection class	IP 67

