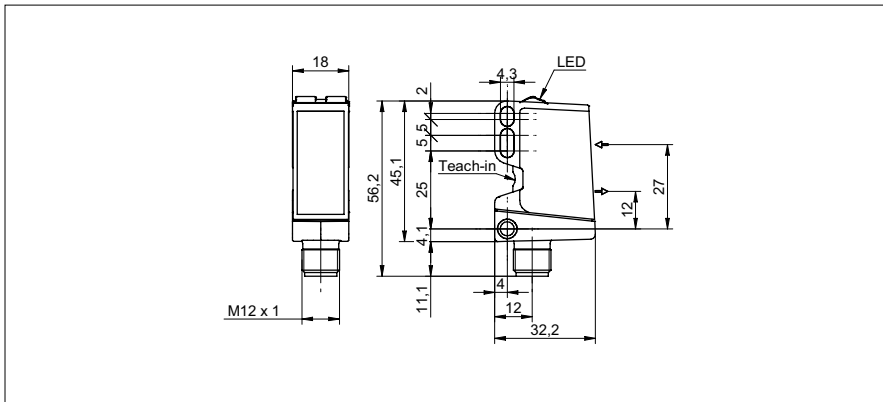


Diffuse sensors with background suppression

O500.GR-11096062

dimension drawing



general data

type	background suppression
light source	pulsed red LED
sensing distance T_w	60 ... 550 mm
sensing range T_b	30 ... 600 mm
power on indication	LED green
light indicator	LED yellow
sensing distance adjustment	qTeach
wave length	630 nm
suppression of reciprocal influence	yes
alignment optical axis	$< 1^\circ$

electrical data

response time / release time	< 1 ms
voltage supply range +Vs	10 ... 30 VDC
current consumption max. (no load)	40 mA
current consumption typ.	30 mA
voltage drop Vd	< 3 VDC
output function	light / dark operate
output circuit	push-pull
output current	< 100 mA
short circuit protection	yes
reverse polarity protection	yes

mechanical data

width / diameter	18 mm
height / length	45 mm
depth	32 mm
type	rectangular
housing material	plastic (ASA, PMMA)
front (optics)	PMMA
connection types	connector M12 3 pin

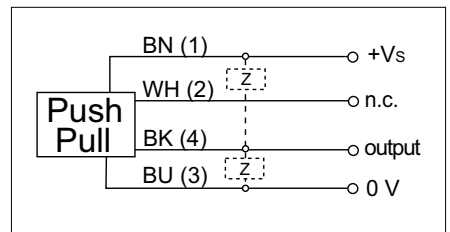
ambient conditions

operating temperature	-25 ... +60 °C
protection class	IP 67

photo



connection diagram



• qTeach