

Instruction Manual for O200 Sensors with IO-Link



Instruction Manual

O200 Sensors with IO-Link V1.2



Sensor Solutions

Motion Control
Vision Technologies
Process Instrumentation

Content

1	Sensors Covered by this Manual	3
2	IO-Link Introduction	4
2.1	SIO / DI Mode Mode	5
2.2	IO-Link Communication Mode	5
2.2.1	Cyclic Data	5
2.2.2	Acyclic Data	5
2.3	IO-Link Device Description (IODD)	6
2.4	Off-Line Parametrization	6
2.5	Adjustable Switching Sensor (AdSS)	6
2.6	Index Mapping and Product Specific Information	6
3	Sensor in the IO-Link Communication Mode	7
3.1	Signal Path	7
3.2	Process Data	8
3.2.1	Process Data-In	8
3.2.2	Process Data-In (O200.T)	9
3.2.3	Process Data-Out	9
4	Parameter	10
4.1	System Commands	10
4.2	Measurement Data Channel (MDC)	10
4.2.1	Measurement Values	10
4.2.2	Switch Counts	11
4.2.3	MDC Source	11
4.2.4	MDC Descriptor	11
4.3	Configuration - Switching Signal Channel (SSC)	12
4.3.1	Setpoints SP	12
4.3.2	SSC Configuration	13
4.3.3	Timefilter	16
4.3.4	Counter / SSC4	19
4.4	Signal Processing	21
4.4.1	Measurement Mode (Only O200.G, S)	21
4.4.2	Detection Mode (Only O200.Rx.T)	21
4.4.3	Background Tracking (Only O200.Sx.T, Rx.T)	22
4.4.4	Auto Teach (Only O200.Sx.T, Rx.T)	24
4.5	Input/Output Settings	25
4.5.1	Switching Output	25
4.6	Local User Interface	26
4.6.1	Local Teach Settings	26
4.6.2	Indication LEDs	29
4.7	Quality Parameters	30
4.8	Device Access Locks	30
5	Teach Commands	31
5.1	Teach Channel Selection, TPO & Teach Status	31
5.2	Static	32
5.2.1	Single Point Mode: 1-Point Teach	34
5.2.2	Single Point Mode: 2-Point Teach (Only O200.G, R, Z, E)	35
5.2.3	Two Point Mode: 1-Point Teach (Only O200.Sx.T, Rx.T)	35
5.2.4	Window Mode: Window Teach (Only O200.G)	36
5.3	Dynamic (Only O200.G, R, Z, E)	36

5.3.1	Dynamic in Single Point Mode.....	37
5.3.2	Dynamic in Window Mode (Only O200.G)	37
6	Diagnosis.....	38
6.1	Device Status.....	38
6.2	Device Temperature.....	38
7	Glossary	38

1 Sensors Covered by this Manual

These instruction applies to all O200 sensors with IO-Link interface:

- O200.G* (Background suppression sensors)
- O200.Z (Diffuse sensors with intensity difference)
- O200.R (Retro-reflective sensors)
- O200.S* (SmartReflect light barriers)
- O200.T/E (Through beam sensors (E: Receiver)(T: Emitter))
- O200.Sx.T (SmartReflect light barriers for transparent object detection)
- O200.Rx.T /Retro-reflective sensors for transparent object detection)

2 IO-Link Introduction

IO-Link is an IO technology standardized worldwide according to IEC 61131-9. It permits manufacturer-independent digital, bidirectional point-to-point communication. For this purpose, sensors are connected to the IO-Link master via standardized 3-wire plug-in cables. IO-Link is available for various sensor technologies and can also be integrated into small miniature sensors. See also [here](#) for more information.

With the IO-Link master, which bundles several sensors, the connection to the controller is made via the respective fieldbus system. In addition, an Ethernet-based connection (with OPC UA) from the master allows direct communication from the sensor to IT systems. IO-Link masters are available as field devices for decentralized mounting or as versions for mounting in control cabinets. Many control suppliers also offer IO-Link input terminals and thus an IO-Link master implemented directly on the control. The maximum cable length between sensor and master is 20 m. However, significantly longer connections from the sensor to the controller can be realized by connecting a field master to a field bus system. This gives them maximum flexibility in the connection solution.

As a member of the IO-Link Consortium, Baumer is involved in developing the standard and is one of the first manufacturers to feature the new Smart Sensor Profile 1.1. in its sensors.

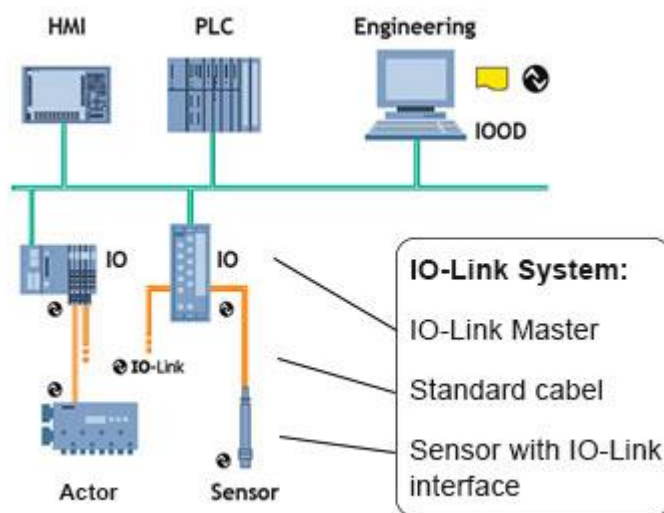


Figure 1 Example of a system architecture using IO-Link

2.1 SIO / DI Mode Mode

Each port of the IO-Link master can be operated either in SIO mode (standard in-out mode: according to the latest specification DI mode for sensors and DQ mode for actuators) or in IO-Link mode and thus process the information of all sensors. In SIO mode, the binary switching output (NPN, PNP or push-pull) of the sensor is used. In IO-Link mode, the output of the sensor (pin 4) is used as a bidirectional, digital interface to exchange measurement and diagnostic information.

2.2 IO-Link Communication Mode

The IO link communication mode is initiated by the master (PLC) with a standardized command sequence, this sequence is called “wake-up”. After successful completion of the wake-up sequence the IO link communication starts.

Data is the most important basis for process and product optimization. With the help of IO-Link, valuable additional data can be made accessible. Sensor and Master can exchange two different types of data (cyclic and acyclic data).

More information can also be found [here](#).

2.2.1 Cyclic Data

Transmitted cyclic and with the fastest rate available. They are used for process control in the automation system. These can also be transferred to other IT systems via IO-Link.

2.2.2 Acyclic Data

Through this data stream, sensors (IO devices) can be parameterized. Additionally this data stream also allows to transmit data for identification and analyzation. The figure below shows the different types of data and their value for the application.

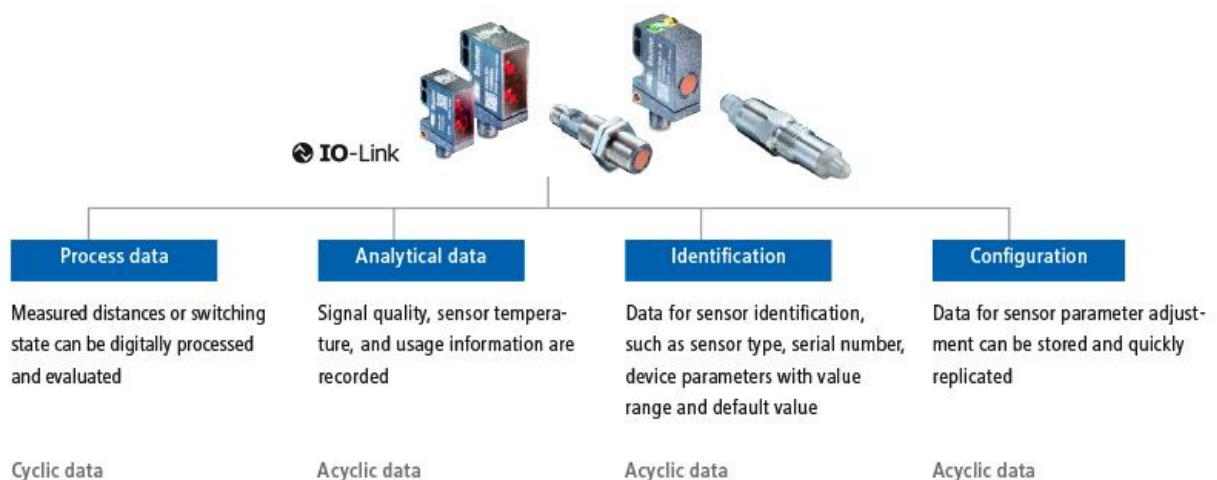


Figure 2 Different IO Link data streams

2.3 IO-Link Device Description (IODD)

Each IO-Link Device has a device description file, the so-called IODD (IO Device Description). This contains data about the manufacturer, article number, functionality, software version etc., which can be easily read out and further processed by the automation system. Each device, i.e. each sensor, can be uniquely identified both via the IODD and via an internal device ID. The identification data of the sensor also includes device or application descriptions that can be freely assigned by the user. The IODD consists of several files: a main file and optional external language files (both in XML format), as well as image files (in PNG format).

2.4 Off-Line Parametrization

Off-line sensor parameter adjustment via convenient user interfaces in the PC (via USB Master) or via Wireless App (via Wireless Master). Sensors can be conveniently configured at the desk and installed without further teach-in.

Even if IO-Link is not implemented in the machine control, sensors can be operated in SIO mode and use this advantage

2.5 Adjustable Switching Sensor (AdSS)

Additionally, the sensors described in this manual can be operated as “adjustable switching sensors (AdSS)” according to the Smart Sensor Profile. When treated as AdSS the sensors-Master communications happens via a fully standardized command set. Thus operation without IODD file is possible.

2.6 Index Mapping and Product Specific Information

This manual includes information respecting all O200 IO-Link sensors.

Whereas not every content described in this manual may apply to your product, please check the product specific IODD which can be downloaded on our website www.baumer.com or via the official IODD-Finder <https://ioddfinder.io-link.com>.

Included in the IODD package is a HTML-file which can be opened by any web-browser to get a detailed overview of the available parameters and the related index mapping.

[Process Data]
[Standard Variables]
[Variables]
[Menus]

O200.GP	
Vendor ID	350 (0x015e)
Vendor Name	Baumer Electric AG
Vendor Text	www.baumer.com
Vendor URL	http://www.baumer.com
Device ID	201 (0x000c9)
DeviceFamily	O200.GP
Features	
Block Parameter	yes
Data Storage	yes
Profile Characteristic	0x0001 (Device Profile: Smart Sensor), 0x4000 (Common Application Profile: ?Unknown?), 0x8001 (Function Class: Binary Data Channel), 0x8004 (Function Class: Teach-In Commands)
Supported Access Locks	Parameter: no, Data Storage: yes, Local Parameterization: no, Local User Interface: no
Communication	
IO-Link Revision	V1.1
Transmission Rate	230400 bit/s (COM3)
Minimum Cycle Time	0.6 ms
SIO Mode Supported	yes
M-Sequence Capability	PREOPERATE = TYPE_1_V with 8 octets on-request data OPERATE = TYPE_2_V with 2 octets on-request data ISDU supported
Device Variant O200.GP-GW1J.72NV	
Description	Photoelectric sensor, b/g suppression, Cable/Connector M8
Product ID	11208513
Device Icon	
Device Symbol	
Connection Type	M8 connector
- pin 1	brown; L+
- pin 2	white; Other; Teach
- pin 3	(light) blue; L-
- pin 4	black; C/Q

3 Sensor in the IO-Link Communication Mode

3.1 Signal Path

The signal path describes the rough position of a parameter in the signal processing chain. The path starts with the measuring value in the top left corner and finishes either with a physical pin (top right) or as output via the process data (bottom right).

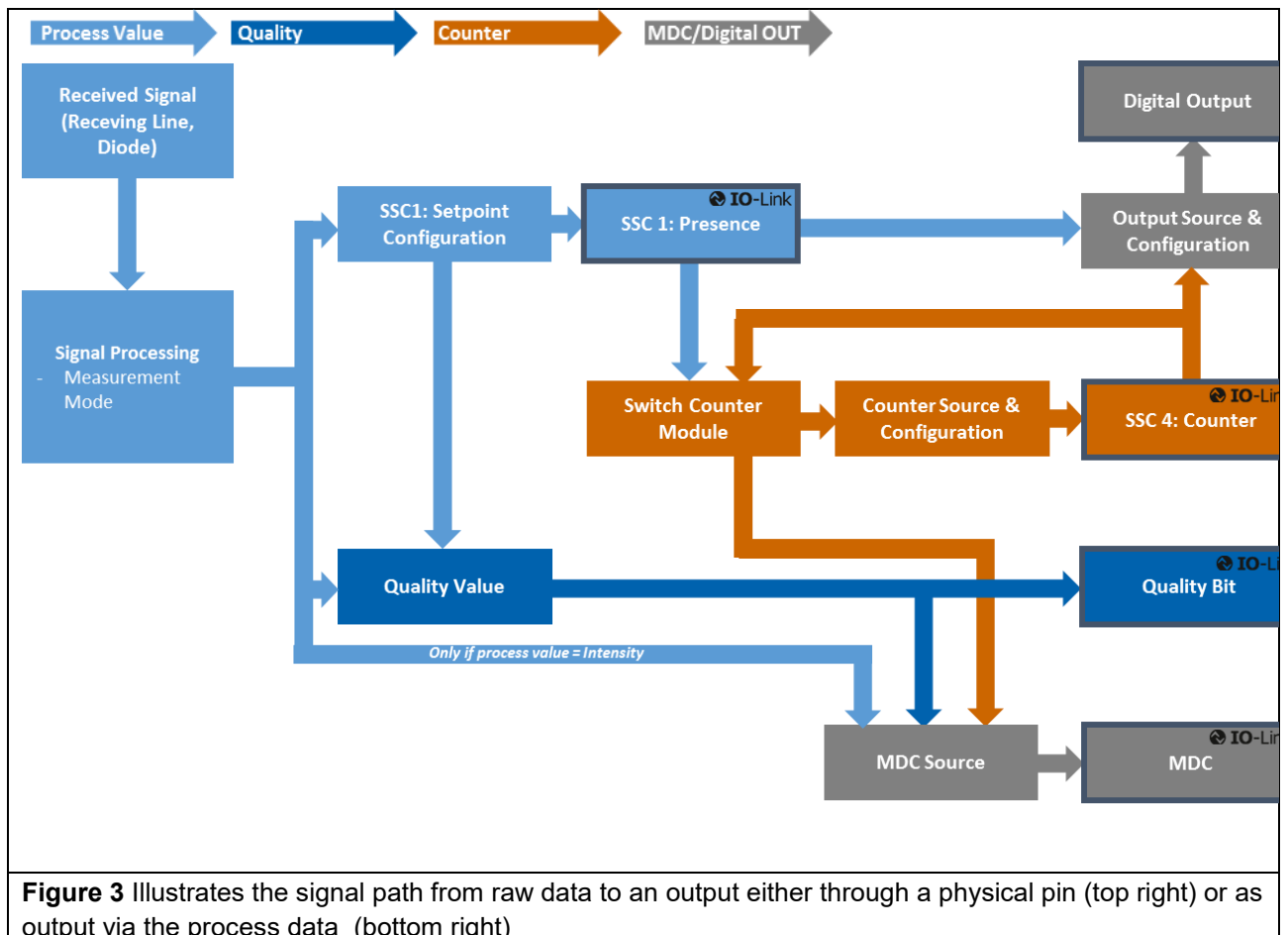


Figure 3 Illustrates the signal path from raw data to an output either through a physical pin (top right) or as output via the process data (bottom right)

3.2 Process Data

With the sensor in the IO-Link communication mode, process data is cyclically exchanged between the IO-Link master and the device. Process data is exchanged to and from the sensor (Sensor \leftrightarrow Master). The master does not need to explicitly request these process data.

3.2.1 Process Data-In

Process Data-In is sent from the sensor to the master (Sensor \rightarrow Master).

IO-Link Process Data Input							
Bit:							
0	1	2	3	4	5	6	7
SSC1		Quality	Alarm		SSC4		
Bit:							
16...31							
Measurement Data Channel (MDC)							

The Process Data Input is an 32bit string and structured according to the Smart Sensor Profile definition PDI32.INT16_INT8.

Bit 0: SSC1 (Switching Signal Channel 1)

This bit is the digital representation of a switching output.

Bit 0 = 0 \rightarrow No object is being detected (Logic: Normal)

Bit 0 = 1 \rightarrow An object is being detected (Logic: Normal)

See section 4.3 to learn how to configure this bit

Bit 2: Quality

The quality bit signals that the signal quality has fallen below the configured threshold.

It is directly connected to the weak signal indication LED (section 4.6.2)

See section 4.7 to learn how to configure this bit

Bit 3: Alarm

The alarm bit indicates that there is a detectable problem with the configuration or function of the sensor.

Bit 3 = 0 \rightarrow Sensor operates properly.

Bit 3 = 1 \rightarrow A problem with either the sensor configuration or function was detected.

Bit 5: Switching Signal Channel 4 (SSC4), Switch Counter Function

By configuring SSC4, it is possible to set up a binary signal related to the number of switchcounts of SSC1.

An auto-reset and timefilters are included, to be able to create a full-featured counter being able to count lot sizes without any need to code software on the PLC.

See section 4.3.4 to learn how to configure this bit.

Bit 8 to 15: Scale

Value is the exponent to the power of ten, applicable to the value of the Measurement Data Channel (MDC)

Example:

- Value of MDC 1000
- Unit m
- Scale -6
- Means $1000 \cdot 10^{-6} \text{ m}$ or $1000 \mu\text{m}$

As O200 sensors only provide measuring values where no scale factor is required, the scale factor is set fixed to 0 (zero).

Bit 16 to 31: MDC / Measurement Value

MDC stands for measurement data channel. Via this channel the intensity (only O200.R, Z, E), the quality value (Excess Gain), the attenuation value (only Sx.T, Rx.T) or the switch counts of SSC1 or 4 can be read out as 16 bit integer value. See section 4.2 to learn how to configure the MDC.

3.2.2 Process Data-In (O200.T)

Process Data-In is sent from the sensor to the master (Sensor → Master).

Being a transmitter without signal receiving element, the O200.T provides limited parameters to adjust and no measurement values as MDC or SSC.

IO-Link Process Data Input							
Bit:							
7	6	5	4	3	2	1	0
				Alarm		Find Me (Localization: LEDs flashing)	Disable Transmit LED

The Process Data Input is an 8bit string and structured according to the Smart Sensor Profile definition PDI8.BOOL1.

Bit 3: Alarm

The alarm bit indicates that there is a detectable problem with the configuration or function of the sensor.

Bit 3 = 0 → Sensor operates properly.

Bit 3 = 1 → A problem with either the sensor configuration or function was detected.

3.2.3 Process Data-Out

This data is cyclically sent from the master to the sensor (Master → Sensor).

IO-Link Process Data Output							
Bit:							
7	6	5	4	3	2	1	0
						Find Me (Localization: LEDs flashing)	Disable Transmit LED

Bit 0: Disable Transmit LED

If set to true, the transmission LED is deactivated. The sensor will not deliver a measurement or switching value. This can be useful to measure neighbouring sensors sequentially or to perform functional tests.

Bit 1: Find Me Function

Signalling e.g. by flashing LEDs on the sensor to locate and physically identify a sensor in a machine or system. The signalling can be triggered, for example, from the engineering tool of the controller.

4 Parameter

4.1 System Commands

A factory reset of the sensor activates the default parameters as programmed in the factory. All parameters changed by the user will be lost.

Parameter name	Short Description	Rights	Unit / Allowed values
Standard command	Restore Factory Settings	wo	

4.2 Measurement Data Channel (MDC)

4.2.1 Measurement Values

Parameter name	Short Description	Rights	Unit / Allowed values
Measurement Value.Intensity (only O200.R, Z, E)	Intensity measuring value	ro	0 ... 2000
Measurement Value.Attenuation Value (only O200.Sx.T, Rx.T)	<p>The attenuation value describes the measured variation compared to the teached-in and tracked reference background or reflector</p> <p>Using the O200.Rx.T, the value can be positive or negative considering the amount of light received and depending on the detection mode (See section 4.4.2)</p> <p>Standard mode: positive if less light than teached-in and tracked value Foil mode: positive if more light than teached-in and tracked value</p>		0 ... 32000
Measurement Value.Quality Value	<p>The quality value represents the excess gain ration in %</p> <p>100 = Exactly the amount of light needed for a switching operation 200 = Twice the amount of light needed</p> <p>O200.G, S: Quality = Strength of received light / Strength required</p> <p>O200.R, Z, E: Quality = Intensity value / SSC1 SP1</p> <p>O200.Sx.T, O200.Rx.T: Signal to noise ratio considering SP1</p>	ro	0 ... 32000

4.2.2 Switch Counts

For each individual SSC a switching counter is implemented, which can be used as diagnosis data or also as measurement value. The number of counts of each channel can also be mapped to the measurement data channel MDC by adjusting the MDC source. Trigger of counter is on positive slope of related SSC.

Note:

Each power up, the switch counts are being reset/start from 0 (counts are not stored)

Parameter name	Short Description	Rights	Unit / Allowed values
- SSC1 Switch Counts Reset - SSC4 Switch Counts Reset	Command to set the counter value of SSCn to zero. Available for SSC1 and 4.	wo	32 Bit signed
- Switch Counts.SSC1 Resettable - Switch Counts.SSC4 Resettable	Number of switching operations. Available for SSC1 and 4.	ro	32 Bit signed

4.2.3 MDC Source

Selects which measuring value is mapped to the MDC channel and is then available via the process data-IN path. When SSC1, SSC2 or SSC4 is selected the number of switches detected by the channel is shown.

Parameter name	Short Description	Rights	Unit / Allowed values
MDC Selection.Source	Defines the measuring value which is mapped to the MDC channel for availability via the process data-IN path.	ro	- Intensity (Only O200.R) - Quality Value - Switch Counter SSC1 - Switch Counter SSC4

4.2.4 MDC Descriptor

This parameter allows to read out the limits of the measuring range of the sensor and unit. When the sensor detects values outside of this range, it will report an out of range value (32760).

Parameter name	Short Description	Rights	Unit / Allowed values
MDC Descriptor.Unit Code	Shows the unit of the selected MDC source	ro	
MDC Descriptor.Lower Limit	lower limit of the measuring range	ro	
MDC Descriptor.Upper Limit	upper limit of the measuring range	ro	

4.3 Configuration - Switching Signal Channel (SSC)

The sensor features two different switching channels. Switching Signal Channel SSC1 is reserved for object detection.

Switching Channel 4 includes a counter function with an auto-reset. All switching channels can be adjusted individually via IO-Link. All switching channels can be mapped to the MDC as well. Then they will show the counts detected by the channel.

For more information about how to set-up the Counter/SSC4 channel and its behavior, please see section 4.3.4.

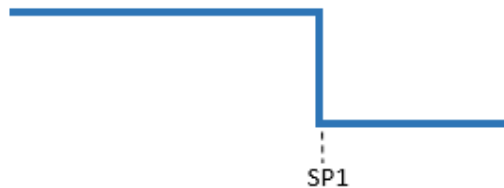
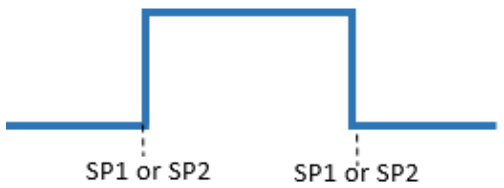
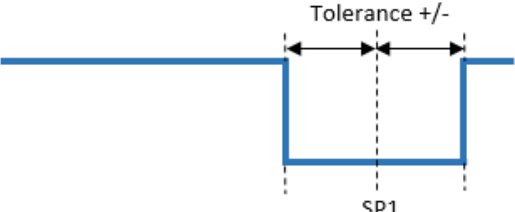
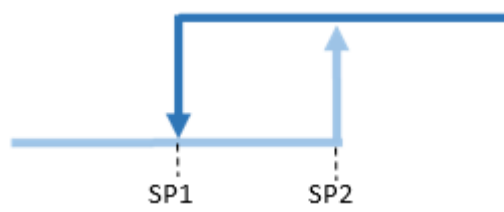
4.3.1 Setpoints SP

Using this parameter the user can modify the switchpoint of the sensor by enter the intensity (O200.R, Z,E) or distance value (O200.G, O200.S) at which the sensor should switch (teach-by-value function).

The SP1 of the O200.Rx.T and O200.Sx.T sensors are related to the attenuation value.

Figure 4 shows the illustration of the switching behavior. Regarding Single point mode only SP1 is relevant, SP2 is not active.

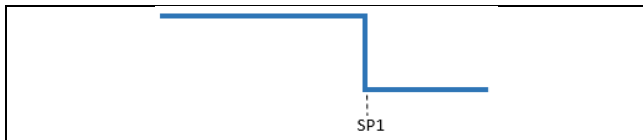
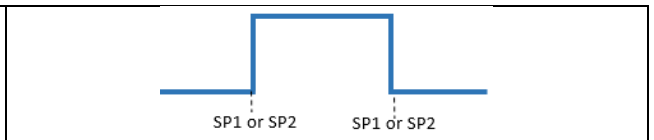
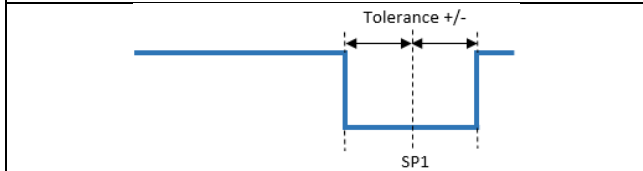
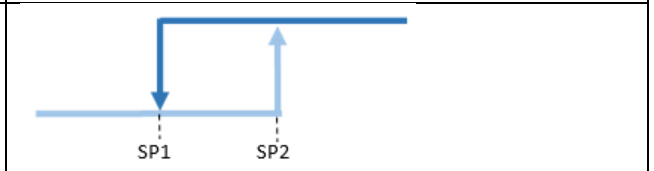
For the Window mode SP1 & SP2 are active. The switching modes are explained in section Window mode is only available for the SSC1 of O200.G and for the SSC4/Counter.

	
<p>Figure 4 Single Point Mode SP1: Switch point 1 SP2: Not active</p>	<p>Figure 5 Window Mode (Only O200.G or SSC4) SP1: Switch point 1 SP2: Switch point 2</p>
	
<p>Figure 6 Single Point Mode (only O200.S) SP1: Reference/backgroundposition</p>	<p>Figure 7 Two Point (Only O200.Sx.T, O200.Rx.T) SP1: Switch point OFF / Background/Reflector SP2: Switch point ON /Object Considering the attenuation value (variation to the teached-in/tracked reference)</p>

Parameter name	Short Description	Rights	Unit / Allowed values
SSC1 Param.SP1	Defines the value at which the related SSC is set to active (or inactive if inverted) or the position of the reference (O200.S)	rw	
SSC1 Param.SP2 (Only O200.G)	Defines the value at which the related SSC is set to inactive (or active if inverted) - only active if SSC is set to window mode	rw	
SSC1 Param.Background Tolerance	Only available for O200.S This value in % states the relative allowed variance of the reference position. (+/-)	rw	%

4.3.2 SSC Configuration

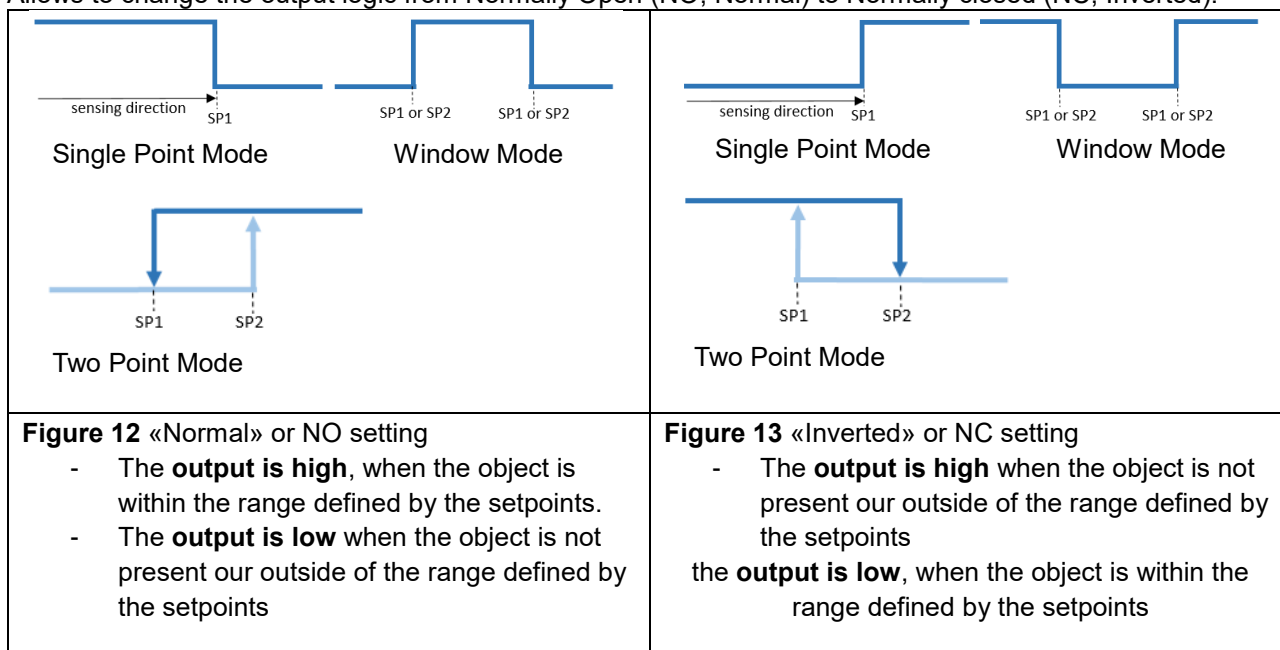
4.3.2.1 Switching Mode

	
<p>Figure 8 Single Point Mode (All excl. O200.S)</p> <p>A single setpoint (SP1) is defined at which the sensor switches.</p>	<p>Figure 9 Window Mode (Only O200.G)</p> <p>The sensor switches with a range defined by two different setpoints (SP1 and SP2)</p>
	
<p>Figure 10 Single Point Mode SmartReflect (O200.S)</p> <p>A single setpoint (SP1) which represents the position of the reference background.</p>	<p>Figure 11 Two Point Mode (Only O200.Sx.T, Rx.T)</p> <p>Gives the possibility, to adjust the hysteresis (ON / object position vs OFF background position) manually by defining SP2.</p>

Parameter name	Short Description	Rights	Unit / Allowed values
SSC1 Config.Mode	Selection of the switching mode	rw	<ul style="list-style-type: none"> - Disabled - Single Point - Window (Only O200.G)

4.3.2.2 Channel Logic

Allows to change the output logic from Normally Open (NO, Normal) to Normally closed (NC, Inverted).



Parameter name	Short Description	Rights	Unit / Allowed values
SSC1 Config.Logic	Changes the Logic from NO to NC	rw	- Normal (NO) - Inverted (NC)

4.3.2.3 Hysteresis Alignment Mode (Only O200.G)

In case of axial detection tasks like stop trigger or level detection, an accurate switching distance is required. To adapt the switching behavior and the hysteresis to the movement direction of the object, the alignment of the hysteresis can be changed.

Only available for O200.G sensors.

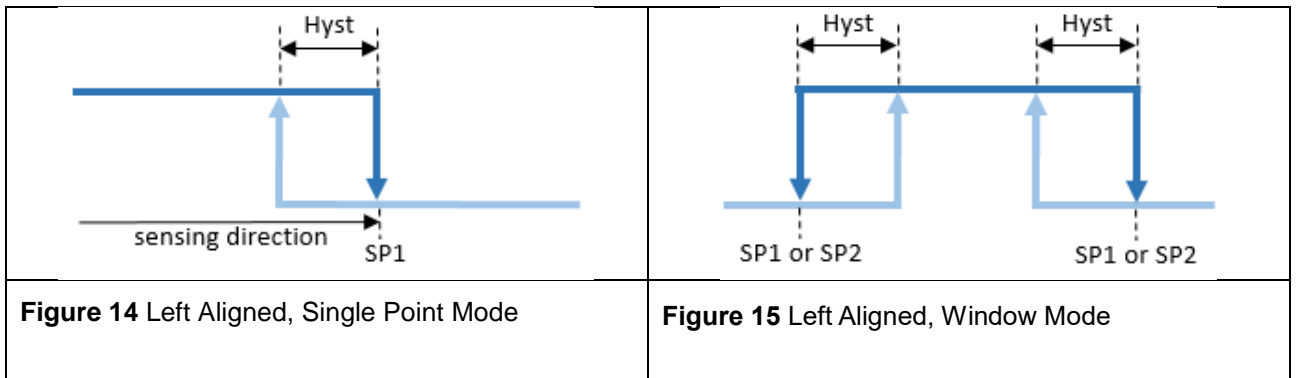
Parameter name	Short Description	Rights	Unit / Allowed values
Hysteresis.SSC1 Alignment	Selection of the alignment modes Available for SSC1. Default: Right aligned	rw	- Left Aligned - Center Aligned - Right Aligned

4.3.2.3.1 Left Aligned

Left Aligned defines the hysteresis to be aligned towards the sensor / against the sensing direction.

When to apply?

- For an accurate switching distance in case the object is moving away from the sensor

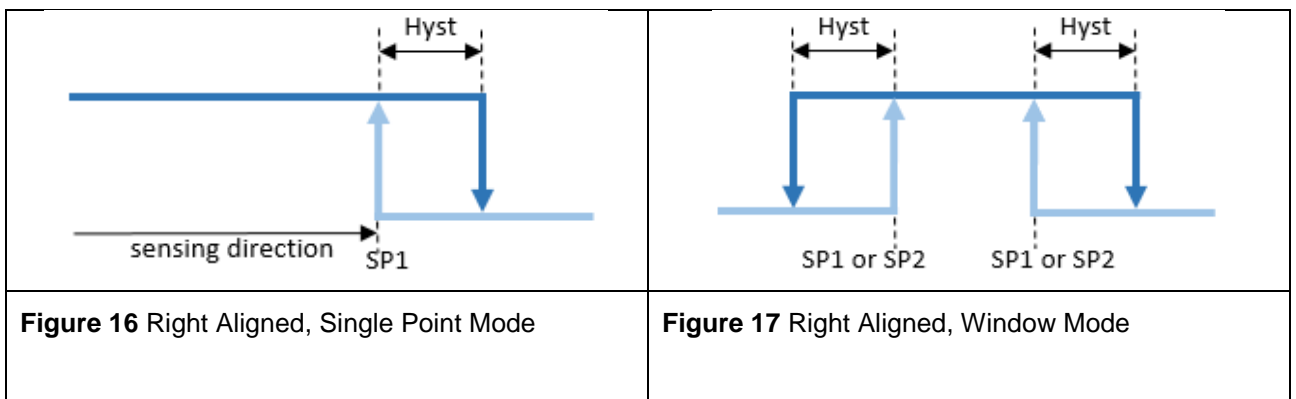


4.3.2.3.2 Right Aligned

Right Aligned defines the hysteresis to be aligned away from the sensor / in sensing direction.

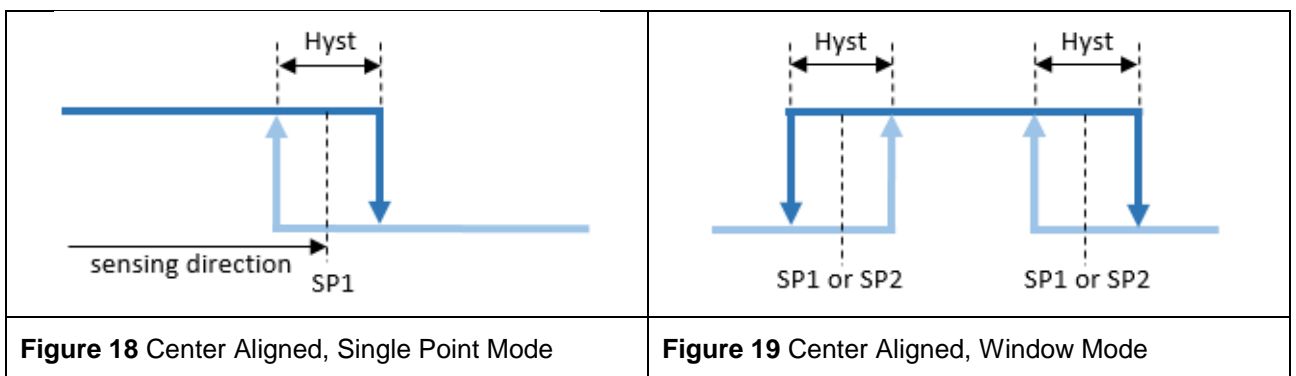
When to apply?

- For an accurate switching distance in case the object is moving towards the sensor.
 - o Example: Stop trigger application, usual detection tasks.



4.3.2.3.3 Center Aligned

A compromise between left and right aligned. The hysteresis is aligned symmetrical around the individual setpoints.



4.3.3 Timefilter

This changes the timing of the switching signals, for example to avoid bouncing/suppress false switching operation. The ability to directly parametrize and configure the timing on the sensor itself, removes the need to have additional coding on the PLC or to use pulse stretching adapters.

The described time filters can be configured and applied to each SSC individually.

4.3.3.1 Response Delay Time

The response delay time defines the time, the measurement value needs to be above (single point mode) or inside (window mode) the switchpoints of the related SSC until its status changes to active (or inactive, if the logic is inverted as described in section 4.3.2.1)

When to apply?

- To avoid the detection of small peaks/false switching operations due to structure changes of the background or similar.
- To avoid wrong switching of known disturbances such as the wheel of a mixer
- To avoid bouncing.
- To optimize the timing of the execution of a subsequent actor triggered by the outssput of the sensor.

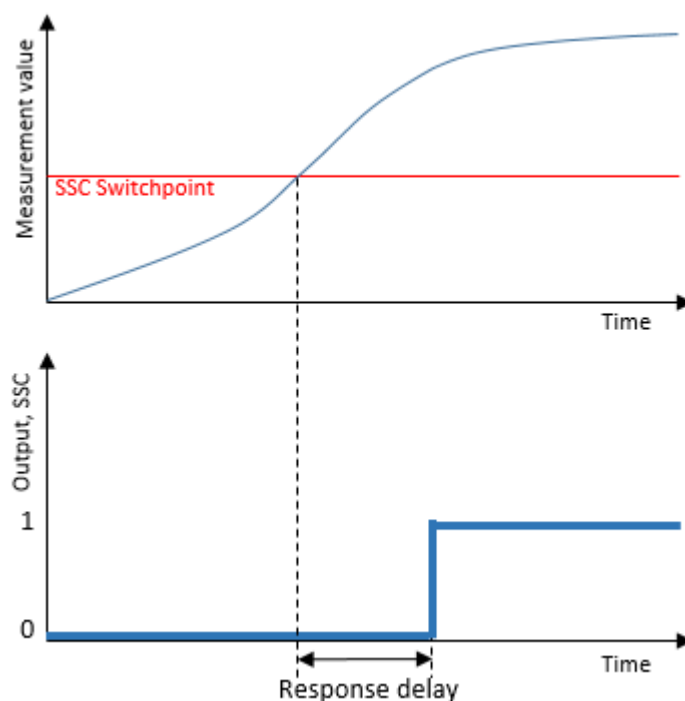


Figure 20: Response Delay

Parameter name	Short Description	Rights	Unit / Allowed values
Response Delay.SSC1 Time	Sets the response delay time, Available for SSC1 and SSC4	rw	0 to 60.000 ms

4.3.3.2 Release Delay Time

The release delay time defines the time, where the measurement value needs to be below (single point) or outside (window mode) of the switchpoints of the related SSC, until its status is changed to inactive (or active, if the logic is inverted as described in section 4.3.2.1)

When to apply?

- To avoid false switching operations in case of an object which is not 100% stable to detect over the whole length
- To suppress short losses of a proper signal due to known disturbances such as the wheel of a mixer.
- To avoid bouncing.
- To optimize the timing of the execution of a subsequent actor triggered by the output of the sensor.
- To detect a unwanted gap size within a continuous flow of products.

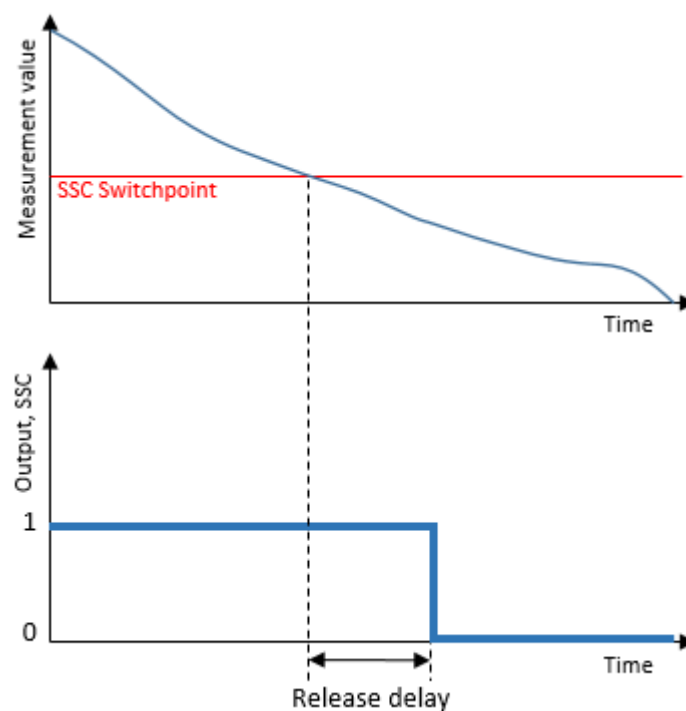


Figure 21: Release Delay

Parameter name	Short Description	Rights	Unit / Allowed values
Release Delay.SSC1 Time	Sets the release delay time, Available for SSC1 and SSC4	rw	0 to 60.000 ms

4.3.3.3 Minimum Pulse Duration

The minimum pulse duration defines the minimum time, the switching signal of the related SSC stays active or inactive after the change of its status.

When to apply?

- To align the timing of the sensor to a slower PLC.
- To avoid bouncing.
- To avoid false pulses due to short losses of a proper signal.
- To straighten the clock / pace

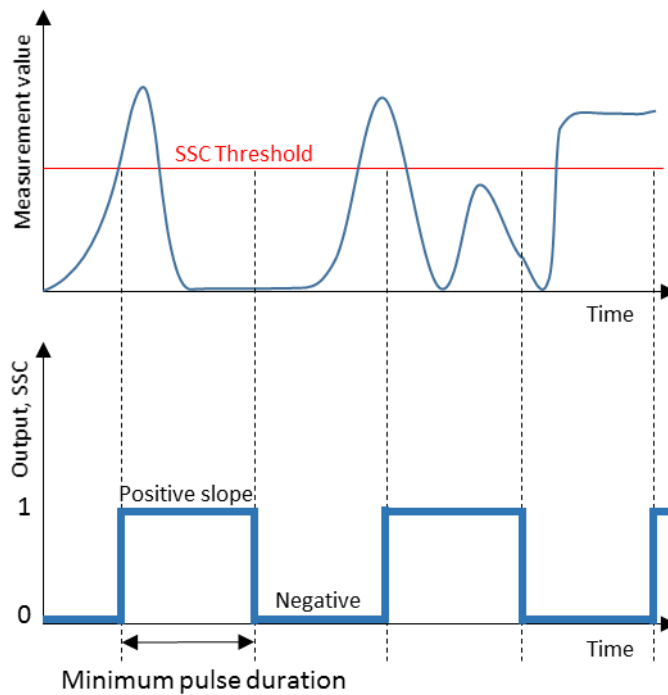


Figure 22 Minimum Pulse Duration

Parameter name	Short Description	Rights	Unit / Allowed values
Minimum Pulse Duration.SSC1 Time	Sets the response delay time, Available for SSC1 and SSC4	rw	0 to 60.000 ms

4.3.4 Counter / SSC4

For each individual SSC a switching counter is implemented, which can be used as diagnosis data or also as measurement value. The number of counts of each channel can also be mapped to the measurement data channel MDC by adjusting the MDC source (See section 4.2.3).

Trigger of counter is on positive slope of related SSC.

By configuring SSC4, it is also possible to set up a binary signal related to the number of switchcounts of SSC1. An auto-reset and timefilters are included, to be able to create a full-featured counter being able to count lot sizes without any need to code software on the PLC.

As all SSCs, SSC4 can also be mapped to the digital output giving the possibility to create a stand-alone lot-size counter.

In section 3.1, the signal path is described more detailed, to illustrate how the counter module is implemented. In section 4.3.4.2 the behavior depending on the configuration is explained.

4.3.4.1 SSC4 Configuration

In general the SSC4 offers the same features as the SSC1 and SSC2 based on distance (See 0), including also timefilters.

Exceptions:

- No hysteresis settings as there are only incremental counts.
- Additional parameters to adjust like *SSC4 Source* and *SSC4 Auto-Reset*.

Parameter name	Short Description	Rights	Unit / Allowed values
SSC4 Setpoints.SP1	Set the number of counts at which the SSC is set to active (or inactive if inverted)	rw	Counts / 0 to 32759
SSC4 Setpoints.SP2	Set the number of counts at at which the SSC is set to inactive (or active if inverted) - only active if SSC is set to window mode	rw	Counts / 0 to 32759

Parameter name	Short Description	Rights	Unit / Allowed values
SSC4 Config.Logic	Changes the Logic from NO to NC	rw	- Normal - Inverted
SSC4 Config.Mode	Selection of the switching mode	rw	- Single Point - Window
SSC4 Config.Source	Selection of source for counter function	rw	- SSC1 Switch Counter
SSC4 Config.Auto Reset	Autoreset of switch counter if given switch counts are reached. If autoreset is switched from disabled to enabled, the selected switch counter-source is automatically being reset to zero.	rw	- Enabled - Disabled

Parameter name	Short Description	Rights	Unit / Allowed values
Response Delay.SSC4 Time	Sets the response delay time, Available for SSC1, SSC2, SSC3 and SSC4	rw	0 to 60'000 ms
Release Delay.SSC4 Time	Sets the release delay time, Available for SSC1, SSC2, SSC3 and SSC4	rw	0 to 60'000 ms
Minimum Pulse Duration.SSC4 Time	Sets the response delay time, Available for SSC1, SSC2 , SSC3 and SSC4	rw	0 to 60'000 ms

4.3.4.2 SSC4 Behavior

By enabling autoreset, a full-featured counter being able to count lot sizes can be created without any need of a manual reset.

Timefilters like *Response Delay* can help to optimize the timing of the execution of a subsequent actor.

Figure 23 illustrates the behavior of SSC4 using different setting. SSC4 source is hereby the switchcounter of SSC1.

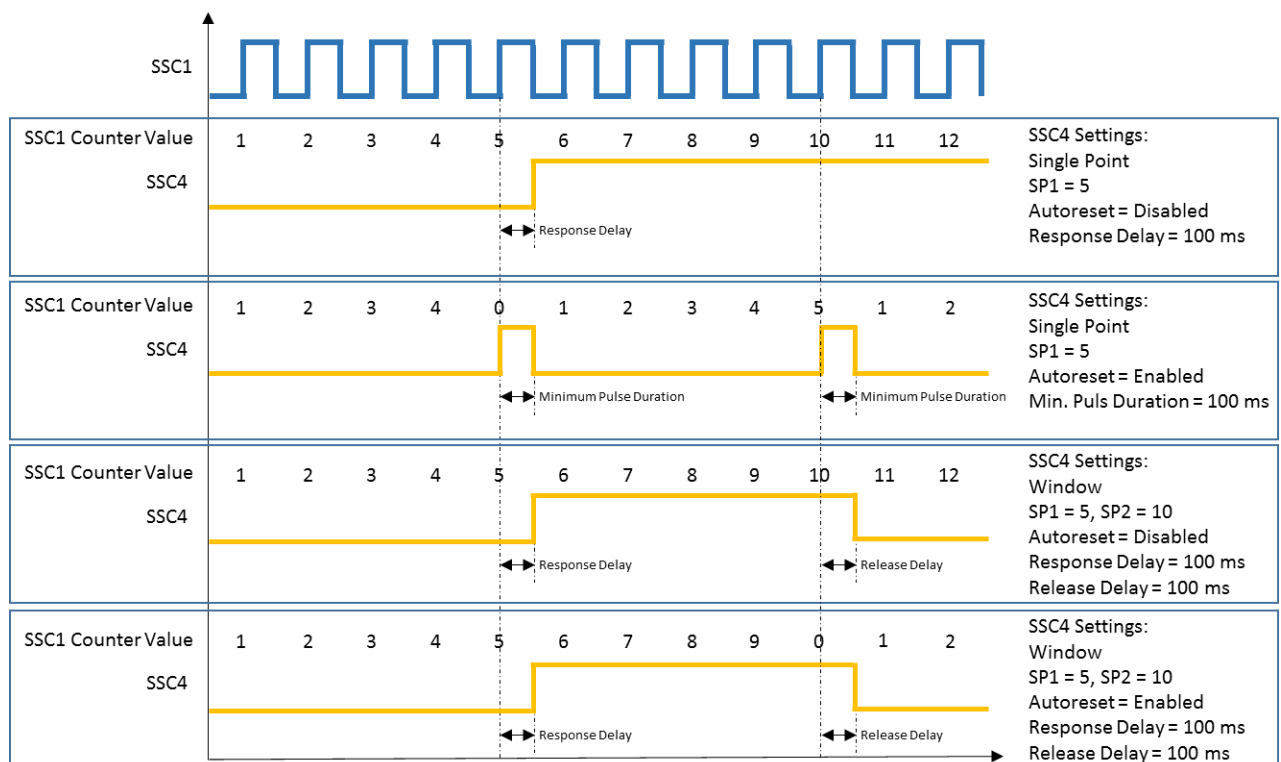


Figure 23 Behavior SSC4/Counter: Single-Point or Window, Autoreset enabled or disabled

4.4 Signal Processing

4.4.1 Measurement Mode (Only O200.G, S)

With this parameter pre-defined modes can be selected to achieve optimal results without much trial and error.

Parameter name	Short Description	Rights	Unit / Allowed values
Measurement Mode	Choose measurement mode for different applications	rw	- High Speed - Standard - High Power

High Speed:

Ideal for fast moving objects. Sensors is adjusted for fastest response time. Detection ability identical to Standard-Mode but with reduced ambient light immunity

Standard:

Standard setting with outstanding performance with the highest ambient light immunity.

High Power:

Twice the excess gain compared to Standard mode but with slower response time.
Reduced hysteresis due to better signal/noise ratio.

4.4.2 Detection Mode (Only O200.Rx.T)

Parameter name	Short Description	Rights	Unit / Allowed values
Detection Mode	Choose between standard object detection and foil rupture detection mode	rw	- Standard - Foil Rupture/Break

By choosing the Foil rupture/break mode, the sensor can be set up to detect more reliable clear or colored foils.

This mode is recommended if the background can be rarely seen (only in case of an error, a.e. foil rupture detection).

Clear and colored foils

Perform the teach on a clear part of the foil

- The foil must be stretched and smooth and clean
- It is recommended to mount the sensor 3 ...5° slanted in relation to the foil to avoid any direct reflections.

If set up in foil mode, the sensor tracks small variations of the foil including of variations of the reflector*

4.4.3 Background Tracking (Only O200.Sx.T, Rx.T)

Sensors for transparent object detection (O200.Sx.T, O200.Rx.T) offers the possibility, to adjust the background tracking.

The tracking compensates any variation on the background reference/reflector like dirt, dust, disalignments due to mechanical shocks,

4.4.3.1 Short-Term vs Long-Term Tracking

Short-Term tracking

- For short-term variations (fast temperature changes, dust, dirt)
- Result of short term is what you see as attenuation value (See 4.2.1)
- Is limited by the long-term tracking

Long-term tracking

1. Follows the trend by each event/switching operation or after a defined period of time (adjustable via IO-Link)
2. Sets the operation window for short-term tracking

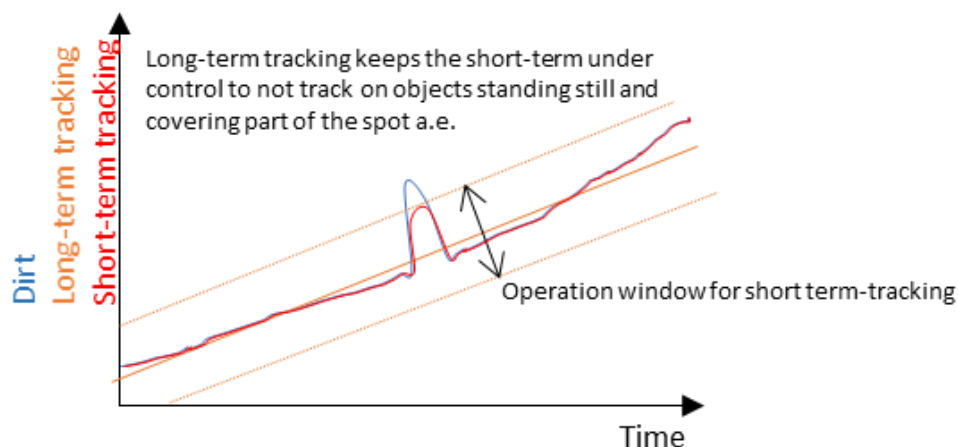


Figure 24 Short-term vs Long-term tracking

4.4.3.2 Use Cases

Default mode is suitable

- If the background is seen between objects/regularly
- If the objects do come in a regular way (not only 1 object/few hours as example)
- Objects can be moving or standing still in front of the sensor
- If the attenuation value can be tracked down to 0%

Default means:

- Short-term: 60 s tracking time
- Long-term: By event
- Auto-teach deactivated
 - Auto-teach deactivated

A: Short-term B: Long-term: Event & Slow or fast adapting

By default, the sensor tracks the trend only after each switching operations to avoid to track too far away in case the object is standing still

Use the additional options in case the reference variation happens faster than the switching operations allow to track it (object only occur from time to time)

The additional options create an internal event allow the sensor to track the long-term variation without an external event (switching operation)

Parameter name	Short Description	Rights	Unit / Allowed values
Background Tracking.Mode A: Short-term B: Long-term	Depending on the mode the sensor adapts the long-term variation by each event (switching operation) and/or in pre-defined intervals (Fast/Medium/Slow) Slow adapting: 100 * Tracking Time Medium adapting: 30 * Tracking Time Fast Adapting: 10 * Tracking Time Note: If foil rupture/break mode (see 4.4.2) is active, long-term can never be only Event based. If B: Event (Default) is chose, it works as Even & Slow adapting	rw	- A: Time B: Event (Default) - A: Time B: Event & Slow adapting - A: Time B: Event & Medium adapting - A: Time B: Event & Fast adapting - A: Off B: Off
Background Tracking.Time	Time until 90% of the short-term background variation is compensated (if tracking enabled)	rw	1 ...60'000 s (default 30 s)

4.4.4 Auto Teach (Only O200.Sx.T, Rx.T)

You can set up to make the sensor teach itself automatically (a.e. format change) after as example 60 seconds (if the situation is stable (no movement/noise within 60s)

So if you can guarantee that no object is in front standing still for as example 60s (in this bad case, the sensor would take the object as reference) you don't need to manually teach at all.

4.4.4.1 Required conditions

- During format change no object must be present in front of the sensor
- Format change takes always at least xx seconds
- In running condition, it is guaranteed that no object is stable/not moving or vibrating in front of the sensor for >xx seconds
- Not suitable for clear, smooth foils as those are stable so if only using auto-teach on, it probably teaches on the foil.

4.4.4.2 Auto-Teach:On

- Teaches the current situation as a reference if stable for xx seconds
- For format changes due to different sizes (adjustment of belt width, ...)
- Plug & play functionality

4.4.4.3 Auto-Teach:On, only if BG

- Teaches the current situation as reference if stable for xx seconds,
- But only if the current situation is still being recognized as background

For applications like foil break/rupture detection where in running condition, the sensor detects the background only in case of a failure, so limited possibilities to track it

- In case of a failure, to get fast the latest status of the background
- Limitation: If the background is already too far away and not recognized any more after a failure.

Note:

The O200.RP.T includes a foil mode which allows to track also on the foil itself.

So in general for foil break/rupture detection the better choice. (See 4.4.2)

Parameter name	Short Description	Rights	Unit / Allowed values
Auto Teach.Mode	If enabled and the situation is stable for a defined time, the sensor performs a teach	rw	- Off (default) - On - Only if Background detected
Auto Teach.Time	Time the situation needs to be stable before an auto teach is performed (if enabled)	rw	- 1 ...60'000 s (default: 30 s)

4.5 Input/Output Settings

4.5.1 Switching Output

Parameter name	Short Description	Rights	Unit / Allowed values
DI/DO Settings.OUT1 Circuit	Selection of circuit type PNP or NPN can be only selected, if the sensor is providing dual channel functionality	rw	<ul style="list-style-type: none"> - PushPull (default) - PNP Open Collector - NPN Open Collector
DI/DO Settings.OUT1 Mode	Selection of output source (Default: SSC1)	rw	<ul style="list-style-type: none"> - None (SIO deactivated) - SSC1 (default) - SSC4
DI/DO Settings.OUT1 Logic Only dual channel sensors	Possibility, to invert the output logic independent of the channel logic (see 0)		<ul style="list-style-type: none"> - Not inverted - Inverted
DI/DO Settings.OUT2 Circuit Only dual channel sensors	Selection of circuit type PNP or NPN can be only selected, if the sensor is providing dual channel functionality	rw	<ul style="list-style-type: none"> - PushPull (default) - PNP Open Collector - NPN Open Collector
DI/DO Settings.OUT2 Mode Only dual channel sensors	Selection of output source (Default: SSC1)	rw	<ul style="list-style-type: none"> - None (SIO deactivated) - SSC1 (default) - SSC4
DI/DO Settings.OUT2 Logic Only dual channel sensors	Possibility, to invert the output logic independent of the channel logic (see 0)	rw	<ul style="list-style-type: none"> - Not inverted - Inverted

4.6 Local User Interface

Different parameters are available to configure the local user interface which means the indication LED and the qTeach availability or qTeach mode (Xpress vs Xpert, static vs dynamic)

4.6.1 Local Teach Settings

Parameter name	Short Description	Rights	Unit / Allowed values
Teach Lock Settings.Teach Lock Time	<p>Defines the time between power up and qTeach deactivation.</p> <p>0: qTeach never locked</p> <p>1 – 120 min: Accepted range</p> <p>0xFF: qTeach always locked</p> <p>Default: 5 min</p>	rw	0 ... 120 min 0xFF
Teach Mode Settings.Teach Mode	<p>Defines the teach mode for the qTeach and teach by wire.</p>	rw	Xpert Static Xpress Static Xpert Dynamic Xpress Dynamic

4.6.1.1 Local Teach: Teach Modes

Applicable for qTeach and for teach-in by wire

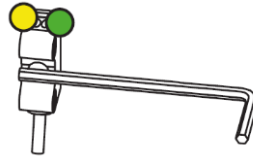


Figure 25: Teach-in activation by qTeach

The switching behavior depends if the switching mode is set to single point or window (only available for O200.G).

For the behavior resulting based on the teach-in, please check section 5 and the following sub-chapters or section 0 how to adjust the switching mode or relevant parameters. (TPO, hysteresis, ...)

If the teach-in was not successful, is indicated by the LED flashing 8 Hz for 2 sec. Previous settings are restored.

If the teach-in was successful, the sensor turns in to operation mode.

Mode	Level 1	Level 2
Xpert Static	1 Point Teach Enter teach level by activating qTeach-in >2 .. <4 sec (Green LED flashes with 2 Hz) Tap qTeach to teach-in the position	2-Point Teach (O200.S: not active) Enter teach level by activating qTeach >4 ... <6 sec. (Yellow LED flashes with 2 Hz) Tap qTeach to teach the position of TP1 Tap qTeach again to teach the position of TP2
Xpert Dynamic	Start: Enter teach Level by activating qTeach >2 .. <4 sec. (Green LED flashes with 2 Hz) Data acquisition starts after releasing teach-in Stop: Tap qTeach Accepted duration: 2 ... 15 sec	N/A
Xpress Static One Step Teach	Activate qTeach for >2 sec to teach-in the position (Green LED flashes with 2 Hz)	N/A
Xpress Dynamic One Step Teach	Start: Activate qTeach Stop: Release qTeach (Green LED flashes with 2 Hz) Accepted duration: 2 ... 15 sec	N/A

Mode	Level 3: Output Logic	Level 4: Factory Reset
Xpert Static	Enter teach Level by activating qTeach >6 .. <8 sec. (Green & yellow LED flash with 2 Hz) Tap qTeach to change the logic indicated by the LEDs Green LED: Normal Yellow LED: Inverted	Enter teach level by activating qTeach >8 ... <12 sec. No further actions required
Xpert Dynamic	Enter teach Level by activating qTeach >6 .. <8 sec. (Green & yellow LED flash with 2 Hz) Tap qTeach to change the logic indicated by the LEDs Green LED: Normal Yellow LED: Inverted	Enter teach level by activating qTeach >8 ... <12 sec. No further actions required
Xpress Static One Step Teach	N/A	N/A
Xpress Dynamic One Step Teach	N/A	N/A

4.6.2 Indication LEDs

While the underlying functionality of the LEDs is in general well defined, it is possible to deactivate or to invert those.


LED Indication	Legend	Operating Mode																		
	<ul style="list-style-type: none"> ● LED on ① LED flashing 1 Hz ② LED flashing 2 Hz ⑧ LED flashing 8 Hz 	EN																		
		<table border="1"> <thead> <tr> <th>LED Indicators</th> <th>Green</th> <th>Yellow</th> </tr> </thead> <tbody> <tr> <td>Power on</td> <td style="text-align: center;">●</td> <td></td> </tr> <tr> <td>Short circuit</td> <td style="text-align: center;">①</td> <td></td> </tr> <tr> <td>Output 1 active</td> <td></td> <td style="text-align: center;">●</td> </tr> <tr> <td>Output 1 signal close to threshold</td> <td></td> <td style="text-align: center;">⑧</td> </tr> <tr> <td>Teach-in mode</td> <td colspan="2" style="text-align: center;">see Teach-in Instruction</td> </tr> </tbody> </table>	LED Indicators	Green	Yellow	Power on	●		Short circuit	①		Output 1 active		●	Output 1 signal close to threshold		⑧	Teach-in mode	see Teach-in Instruction	
	LED Indicators	Green	Yellow																	
	Power on	●																		
	Short circuit	①																		
Output 1 active		●																		
Output 1 signal close to threshold		⑧																		
Teach-in mode	see Teach-in Instruction																			

Figure 26 LED Indication - Standard-behavior in operating mode

Parameter name	Short Description	Rights	Unit / Allowed values
LED Settings.Green Mode	Power on/short circuit	rw	On Off
LED Settings.Yellow Mode	Connected to output 1 - State - Signal close to threshold/weak signal The weak signal can be configured by using the quality bit (section 4.7) Default: LED on if output is active	rw	On Off Inverted

If the LED mode is set

- *On*, the behaviour of the related LED is as described in Figure 26.
- *Off*, the LED is deactivated except if the function Find Me is activated. (See section 3.2.3)
- *Inverted*, the LED behaviour is inverted to the definition in Figure 26.

4.7 Quality Parameters

The O200 sensors offers quality values to give an idea about the reliability or trend of the process based on the ratio of the current signal and the threshold or minimum required signal.

- Contamination indicaton
- Alignment indication
- Evaluation of process reliability

Parameter name	Short Description	Rights	Unit / Allowed values
Quality Value	<p>Same value as described in section 4.2.1.</p> <p>The quality value represents the excess gain ratio in %</p> <p>100 = Exactly the amount of light needed for a switching operation 200 = Twice the amount of light needed</p> <p>O200.G, O200.S: Quality = Strength of received light / Strength required</p> <p>O200.R: Quality = Intensity value / SSC1 SP1</p> <p>O200.Sx.T, O200.Rx.T: Signal to noise ratio considering SP1</p>	ro	
Quality Bit Threshold	<p>Sets the threshold for the quality bit value in % which is mapped to the process data in (section 3.2.1)</p> <p>The quality bit is directly connected to the weak signal indication LED (section 4.6.2)</p> <p>Default: 150</p>	rw	

4.8 Device Access Locks

Parameter name	Short Description	Rights	Unit / Allowed values
Data Storage Lock	Deactivates the parameter server functionality / does not overtake values	rw	True/False

5 Teach Commands

By using teach commands, the setpoints of the switching signal channel SSC1 can be defined by teach-in the position of the object or reference.

Next to teach-by-value which can be applied as described in section 4.3.1, using teach commands makes it easy to compensate individual variations such as mechanical and mounting tolerances.

There are two different procedures available – static or dynamic – which can be individually chosen independent of the switching mode of the selected SSC

- Static: Defines the setpoints by teach-in the positions of non-moving objects
- Dynamic: For moving and small objects. Analyzes the minimum and maximum distances within a time frame to define the setpoints.

The teach-in procedures are described more detailed in section 5.2 (Static) and 5.3 (Dynamic).

The switching behavior of each switching signal channel depends on the configuration (Switching Mode, Channel Logic, ...) described in section 0.

5.1 Teach Channel Selection, TPO & Teach Status

The described teach commands can be applied to individual switching signal channels. Before proceeding with the teach-in procedure, make sure to select the SSC that should be addressed.

Furthermore different information are available to indicate the current mode and teach-in state of the selected switching signal channel to help to execute the right commands described in section 5.2 and 5.3.

Parameter name	Short Description	Rights	Unit / Allowed values
TI.Select	Selects the SSC to which the teach-in will be applied	rw	SSC1
Teach Point Offset.TPO [%]	Defines the offset used for the calculation of the setpoints. Affects the teach-in by IO-Link or qTeach/by wire. See the following chapters regarding the behaviour depending on the teach-modes		%
Teach Status.Teach Flag SP1 TP1	If Teach SP1 or Teach SP1 TP1 was performed, this flag is set to Taught	ro	Not Taught / Taught
Teach Status.Teach Flag SP1 TP2	If Teach SP1 or Teach SP1 TP2 was performed, this flag is set to Taught	ro	Not Taught / Taught
Teach Status.Teach Flag SP2 TP1	Only available for O200.G	ro	Not Taught / Taught
Teach Status.Teach State	Default: Idle	ro	0 = Idle 1 = SP1 Success 2 = SP2 Success 3 = SP1&2 Success 4 = Waiting for Command 6 = Busy 7 = Error

5.2 Static

By using teach commands, setpoint 1 and setpoint 2 (SP1 and SP2) can be set by placing the object at the desired position and triggering the command. Which command is used in which order varies depending on the active switching mode (Single-Point or Window) of the selected-teach channel and is explained in the following sections.

Switching Mode	Teach Mode	Applicable for	Result
Single Point	1-Point Teach	All	Defines SP1 by teach-in only one position and adding a configurable offset to this position/value. O200.G: Teaches the position of the object $SP1 = TP + TPO$ O200.R, Z, E: Teaches the sensor hitting the reflector without any object in between. $SP1 = TP * TPO$ O200.S: Teaches the reference/backgroundposition. O200.Sx.T Teaches the profile of the reference background O200.Rx.T Teaches the received intensity of the reflector
Single Point	2-Point Teach	O200.G O200.R	Defines SP1 based on TP1 and TP2 for an optimized switching behaviour. O200.G: Teaches the position of the object and of the background. $SP1 = (TP1 + TP2) / 2$ O200.R, Z, E: Teaches the sensor hitting the reflector with and without an object in between $SP1 = \sqrt{TP1 * TP2}$
Window	Window Teach	O200.G	Defines a window based on two positions
Two Point	1-Point Teach	O200.Sx.T O200,Rx,T	O200.Sx.T Teaches the profile of the reference background O200.Rx.T Teaches the received intensity of the reflector

Parameter name	Short Description	Rights	Unit / Allowed values
Teach SP1	<p>Sets SP1 at the current position of the object which is within the allowed range.</p> <p>In singlepoint mode, the teachpoint offset TPO needs to be considered (O200.G,R)</p> <p>O200.Sx.T, Rx.T Teaches the reference not affecting SP1 and SP2 directly</p>	wo	
Teach SP2	<p>Sets SP2 at the current position of the object which is within the allowed range.</p> <p>In singlepoint mode, the teachpoint offset TPO needs to be considered (O200.G,R).</p>	wo	
Teach SP1 TP1	Command can be used to define SP1 based on TP1 and TP2	wo	
Teach SP1 TP2	Command can be used to define SP1 based on TP1 and TP2	wo	
Teach Apply	Stores the teached in SP and sets the Teach State to idle	wo	
Teach Cancel	Aborts the on-going teach-in process	wo	

5.2.1 Single Point Mode: 1-Point Teach

If the selected SSC is configured as Single Point mode (Section 4.3.2.1), following command sequence is required to teach-in SP1:

Command sequence:

- Place object (O200.G), reflector (O200.R) or reference (O200.S) at desired position
- Execute *Teach SP1* to teach-in the position
- Execute *Teach Apply* to store the resulting setpoint

By executing *Teach Cancel* the teach-in procedure can be canceled at any state, as long *Teach Apply* has not been used before.

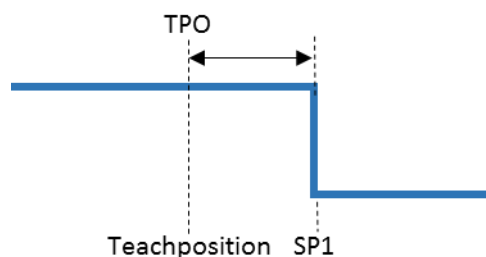


Figure 27: O200.G, R, Z, E: Single Point Teach, switching behavior

Figure 27 shows the switching behavior of the selected SSC if the teach-in was successful. In single point mode, the TPO/Teach Point Offset will be added on the teached-in value to define the setpoint.

O200.G: $SP1 = TP + TPO$
 O200.R, Z, E: $SP1 = TP * TPO$
 O200.S: $SP1 = TP$ (Background position)
 O200.Sx.T: Reference background (Not visible on SP1 or SP2 value)
 O200.Rx.T: Reference intensity received (Not visible on SP1 or SP2 value)

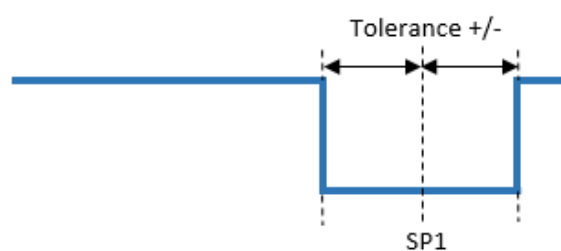


Figure 28: O200.S: Single Point Teach, switching behavior

Figure 28 shows the switching behavior of the selected SSC if the teach-in was successful. Regarding the O200.S SmartReflect sensors, the SP1 is related to the background position / position of the reference part of the machine. Tolerance describes the allowed distance variation of the reference to be still being detected.

5.2.2 Single Point Mode: 2-Point Teach (Only O200.G, R, Z, E)

Defines SP1 based on TP1 and TP2 for an optimized switching behaviour.

O200.G:

Teaches the position of the object and of the background.

O200.R, E:

Teaches the sensor hitting the reflector or receiver with and without an object in between

O200.Z:

Teaches the sensor detecting different intensity levels at position 1 and 2

Command sequence:

- Place object at desired switching distance
- Execute *Teach SP1 TP1* to teach TP1
- Execute *Teach SP2 TP2* to teach TP2
- Execute *Teach Apply* to store the setpoint

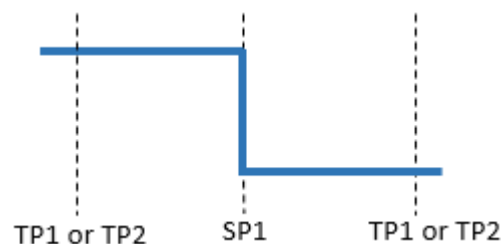


Figure 29: 2-Point Teach, switching behavior

O200.G: $SP1 = (TP1 + TP2) / 2$

O200.R, E, Z: $SP1 = \sqrt{TP1 * TP2}$

5.2.3 Two Point Mode: 1-Point Teach (Only O200.Sx.T, Rx.T)

Considering the teach-in command sequence and the result, please check the section 5.2.1.

As for the sensors suitable for transparent object detection (O200.Sx.T, O200.Rx.T) you do not teach exactly the switching points SP1 or SP2 but the reference profiles and intensity values, the teach-in is the same.

Difference between single-point mode and two-point mode is the two point mode providing the possibility to adjust the hysteresis manually by setting SP2 to a proper value. (See 4.3.2.1)

5.2.4 Window Mode: Window Teach (Only O200.G)

If the selected SSC is configured to Window mode (Section 4.3.2.1), following command sequence can be applied to teach-in SP1 and SP2:

Command sequence:

- Place object at desired switching distance
- Execute *Teach SP1* to teach-in the distance related to SP1
- Execute *Teach SP2* to teach-in the distance related to SP2
- Execute *Teach Apply* to store the setpoint

By executing *Teach Cancel* the teach-in procedure can be canceled at any state as long *Teach Apply* has not been used before.



Figure 30: Window Teach, switching behavior

Which SP was taught at a higher distance does not have any influence on the switching behavior (SP1<SP2, SP1>SP2).

5.3 Dynamic (Only O200.G, R, Z, E)

By using the dynamic teach-in commands, it is possible to define the setpoints by evaluating the minimum and maximum measurement values within a time frame. Accepted duration: 2 ... 15 sec.

When to apply?

- For moving and/or small objects

The command sequence to perform a dynamic teach-in is the same for all switching modes.

Command sequence:

- Execute *Dynamic Teach Start* to start the data acquisition
- Execute *Dynamic Teach Stop* to stop the data acquisition
- Execute *Teach Apply* to store the setpoint

By executing *Teach Cancel* the teach-in procedure can be canceled at any state as long *Teach Apply* has not been used.

Parameter name	Short Description	Rights	Unit / Allowed values
Dynamic Teach SP Start	Starts the data acquisition.	wo	
Dynamic Teach SP Stop	Stops the data acquisition	wo	
Teach Apply		wo	
Teach Cancel		wo	

5.3.1 Dynamic in Single Point Mode

If the selected SSC is configured to Single Point mode (Section 4.3.2.1), during the dynamic teach-in the minimum and maximum values are evaluated and the setpoint SP1 set to the middle

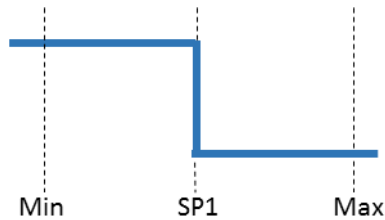


Figure 31: Dynamic Single Point Teach, switching behavior

O200.G: $SP1 = (Min + Max) / 2$

O200.R, Z,E: $SP1 = \sqrt{Min * Max}$

5.3.2 Dynamic in Window Mode (Only O200.G)

If the selected SSC is configured to Window mode (Section 4.3.2.1) during the dynamic teach-in the minimum and maximum values are evaluated. Setpoint SP1 is set to Min, SP2 is set to Max.

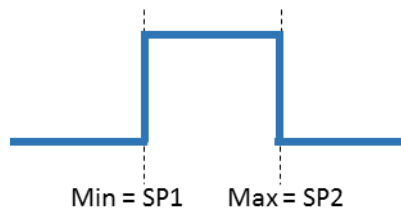


Figure 32: Dynamic Window Teach, switching behavior

6 Diagnosis

In addition to solving the primary application, the simple evaluation of secondary data, such as temperature, supply voltage or operating time, allows for predictive maintenance and thus optimum machine availability.

6.1 Device Status

Parameter name	Short Description	Rights	Unit / Allowed values
Device Status	Indicates if the sensor is working properly	ro	0=Device is OK 2=Out of Specification 4=Failure
Detailed Device Status		ro	

6.2 Device Temperature

An integrated temperature sensor allows to track the internal temperature of the sensor.

Please be aware that compared to the ambient temperature the indicated values are higher due to the internal heating of the sensor.

The temperature may also vary due to mounting conditions and due to the electric load connected to the output.

Parameter name	Short Description	Rights	Unit / Allowed values
Device Temperature.Current		ro	
Unit Selection.Temperature	Choice of temperature unit (Default: °C)	rw	°C, °F, K

7 Glossary

wo	Write only access
rw	Read and write access
ro	Read only access
SSC	Switching Signal Channel
MDC	Measurement Data Channel
SP	Switching Point
AdSS	Adjustable switching sensor

Baumer worldwide**Belgium**

Baumer SA/NV
BE-2260 Westerlo
Phone +32 14 57462 0

Brasil

Baumer do Brasil Ltda
BR-04726-001 São Paulo-
Capital
Phone +55 11 56410204

Canada

Baumer Inc.
CA-Burlington, ON L7M 4B9
Phone +1 (1)905 335-8444

China

Baumer (China) Co., Ltd.
CN-201612 Shanghai
Phone +86 (0)21 6768 7095

Denmark

Baumer A/S
DK-8210 Aarhus V.
Phone +45 (0)8931 7611

France

Baumer SAS
FR-74250 Fillinges
Phone +33 (0)450 392 466

Germany / Austria

Baumer GmbH
DE-61169 Friedberg
Phone +49 (0)6031 60 070

India

Baumer India Private Ltd.
IN-411038 Pune
Phone +91 (0)20 2528 6833

Italy

Baumer Italia S.r.l.
IT-20090 Assago, MI
Phone +39 (0)245 70 60 65

Poland

Baumer Sp.z.o.o.
PL-03-310 Warszawa
Phone +48 228321550

Republic of Korea

Baumer (Korea) Co., Ltd.
KR-411-766 Seoul
Phone +82-70-5055-0741 or
+82-31-995-6379

Singapore

Baumer (Singapore) Pte. Ltd.
SG-339412 Singapore
Phone +65 6396 4131

Spain

Baumer Automación Ibérica
S.L
ES-08021 Barcelona
Phone +34 932547864

Sweden

Baumer A/S
SE-56122 Huskvarna
Phone +46 (0)36 13 94 30

Switzerland (Headquarter)

Baumer Electric AG
CH-8501 Frauenfeld
Phone +41 (0)52 728 1122

United Arab Emirates

Baumer Middle East FZE
AE-0 Dubai
Phone +971 48876755

United Kingdom

Baumer Ltd.
GB-Watchfield, Swindon,
SN6 8TZ
Phone +44 (0)1793 783 839

USA

Baumer Ltd.
US-Southington , CT 06489
Phone +1 (1)860 621-2121

www.baumer.com/worldwide

Technical data has been fully checked, but accuracy of printed matter not guaranteed.