

**Overview**

- Extended functional reserve capacities for maximum reliability
- Fixed preset for the simplest commissioning
- Robust housing with stainless steel spacer sleeves



Picture similar



**Technical data**

**General data**

Type	Retro-reflective sensor
Light source	Pulsed red LED
Actual range Sb	3 m
Nominal range Sn	4 m
Smallest object recognizable typ.	7 mm (FTAR 013A000)
Polarization filter	Yes
Alignment / soiled lens indicator	Flashing output indicator
Output indicator	LED yellow
Power on indication	LED green
Sensitivity adjustment	No
Wave length	644 nm
Suppression of reciprocal influence	Yes
Alignment optical axis	< 1,5°

**Electrical data**

Response time / release time	< 0,5 ms
Voltage supply range +Vs	10 ... 30 VDC
Current consumption max. (no load)	20 mA (@ 30 VDC)

**Electrical data**

Current consumption typ.	16 mA (@ 24 VDC)
Voltage drop Vd	< 2 VDC
Output function	Light / dark operate
Output circuit	NPN complementary
Output current	< 50 mA
Short circuit protection	Yes
Reverse polarity protection	Yes

**Mechanical data**

Width / diameter	8 mm
Height / length	25,1 mm
Depth	15,8 mm
Type	Rectangular
Mechanical mounting	Sleeve smooth (stainless steel)
Housing material	Plastic (ASA, PMMA)
Front (optics)	PMMA
Connection types	Cable 4 pin, 2 m
Cable characteristics	PVC / PVC 4 x 0,08 mm <sup>2</sup>

**Ambient conditions**

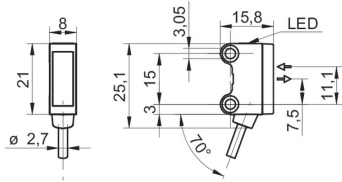
Operating temperature	-25 ... +50 °C
Protection class	IP 67

# O200.RR-NV1Z.72CV

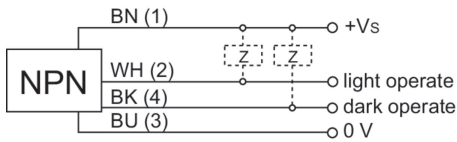
Retro-reflective sensors - miniature

Article number: 11212602

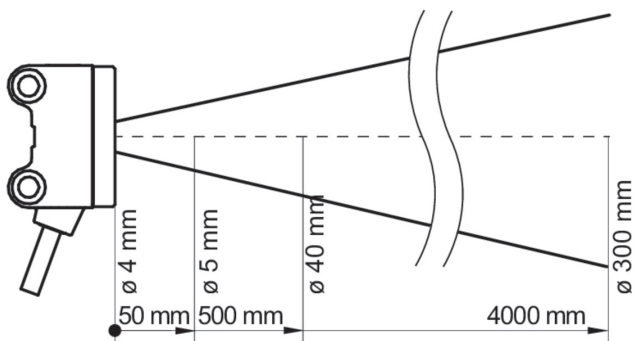
## Dimension drawing



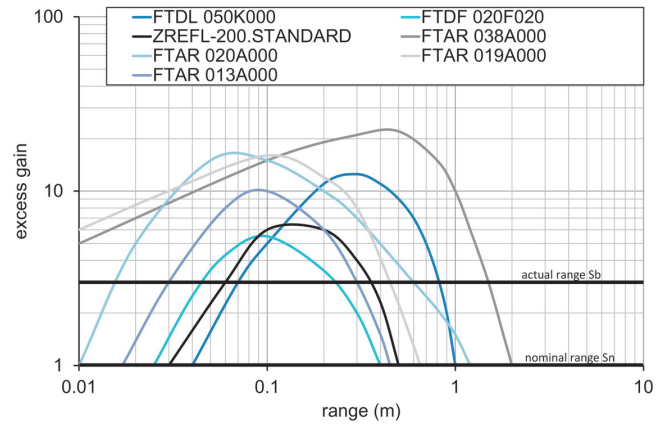
## Connection diagram



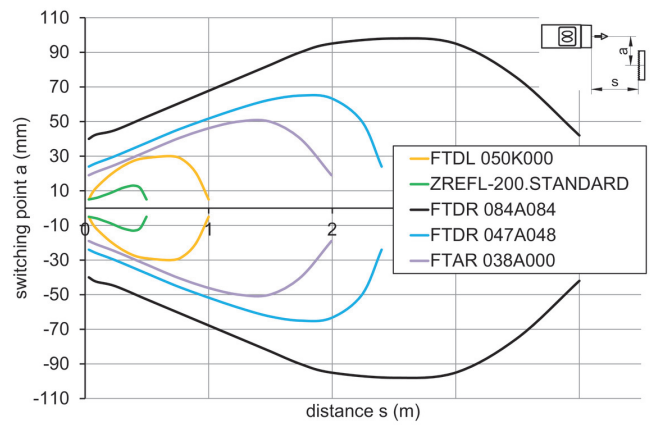
## Beam characteristic (typically)



## Excess gain curve



## Lateral operating range



## Excess gain curve

