

Overview

- Extended functional reserve capacities for maximum reliability
- Fixed preset for the simplest commissioning
- Robust housing with stainless steel spacer sleeves



Picture similar



Technical data

General data

Type	Retro-reflective sensor
Light source	Pulsed red LED
Actual range S_b	3 m
Nominal range S_n	4 m
Smallest object recognizable typ.	7 mm (FTAR 013A000)
Polarization filter	Yes
Alignment / soiled lens indicator	Flashing output indicator
Output indicator	LED yellow
Power on indication	LED green
Sensitivity adjustment	No
Wave length	644 nm
Suppression of reciprocal influence	Yes
Alignment optical axis	< 1,5°

Electrical data

Response time / release time	< 0,5 ms
Voltage supply range +Vs	10 ... 30 VDC
Current consumption max. (no load)	20 mA (@ 30 VDC)

Electrical data

Current consumption typ.	16 mA (@ 24 VDC)
Voltage drop V_d	< 2 VDC
Output function	Light / dark operate
Output circuit	PNP complementary
Output current	< 50 mA
Short circuit protection	Yes
Reverse polarity protection	Yes

Mechanical data

Width / diameter	8 mm
Height / length	25,1 mm
Depth	15,8 mm
Type	Rectangular
Mechanical mounting	Sleeve smooth (stainless steel)
Housing material	Plastic (ASA, PMMA)
Front (optics)	PMMA
Connection types	Cable 4 pin, 2 m
Cable characteristics	PVC / PVC 4 x 0,08 mm ²

Ambient conditions

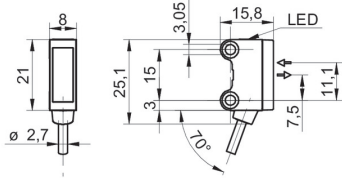
Operating temperature	-25 ... +50 °C
Protection class	IP 67

O200.RR-PV1Z.72CV

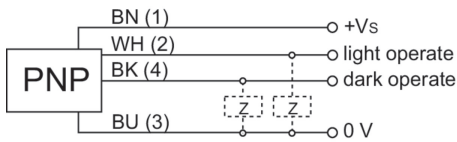
Retro-reflective sensors - miniature

Article number: 11212600

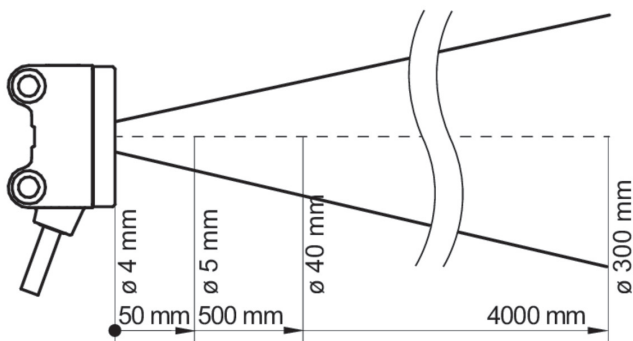
Dimension drawing



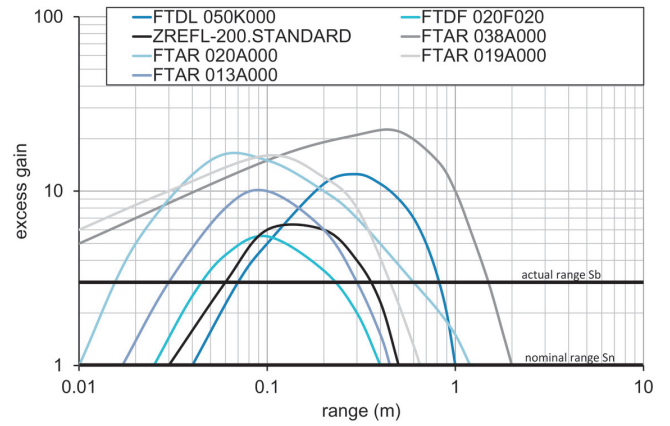
Connection diagram



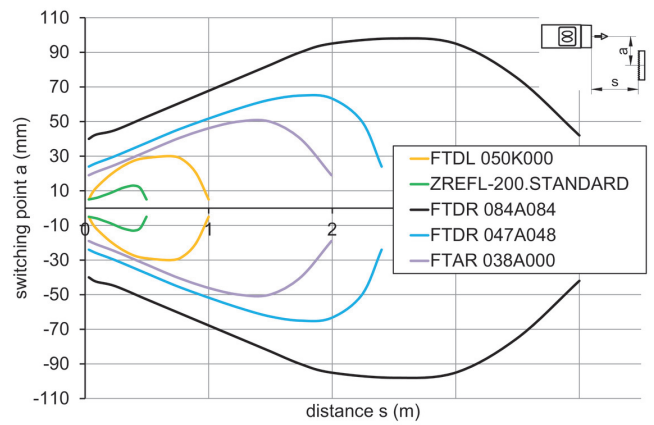
Beam characteristic (typically)



Excess gain curve



Lateral operating range



Excess gain curve

