

Overview

- Extended functional reserve capacities for maximum reliability
- Easy to adjust via line teach
- Intuitive Xpress Teach / 1-Step Teach method
- Robust housing with stainless steel spacer sleeves



Picture similar



Technical data

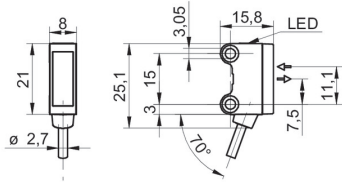
General data		Electrical data	
Type	Retro-reflective sensor	Current consumption typ.	16 mA (@ 24 VDC)
Light source	Pulsed red LED	Voltage drop Vd	< 2 VDC
Actual range Sb	3 m	Output function	Light operate
Nominal range Sn	4 m	Output circuit	Push-pull
Smallest object recognizable typ.	5 mm (FTAR 013A000)	Output current	< 50 mA
Polarization filter	Yes	Short circuit protection	Yes
Alignment / soiled lens indicator	Flashing output indicator	Reverse polarity protection	Yes
Output indicator	LED yellow	Mechanical data	
Power on indication	LED green	Width / diameter	8 mm
Sensitivity adjustment	Teach-in: remote / 1-Step Teach-in	Height / length	25,1 mm
Wave length	644 nm	Depth	15,8 mm
Suppression of reciprocal influence	Yes	Type	Rectangular
Alignment optical axis	< 1,5°	Mechanical mounting	Sleeve smooth (stainless steel)
Electrical data		Housing material	Plastic (ASA, PMMA)
Response time / release time	< 0,5 ms	Front (optics)	PMMA
Voltage supply range +Vs	10 ... 30 VDC	Connection types	Cable 4 pin, 2 m
Current consumption max. (no load)	20 mA (@ 30 VDC)	Cable characteristics	PVC / PVC 4 x 0,08 mm ²
		Ambient conditions	
		Operating temperature	-25 ... +50 °C
		Protection class	IP 67

O200.RR-GL1E.72CV/T003

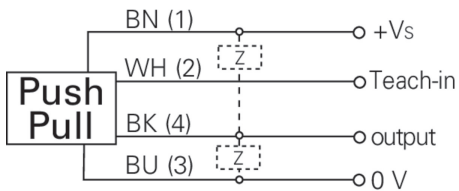
Retro-reflective sensors - miniature

Article number: 11212587

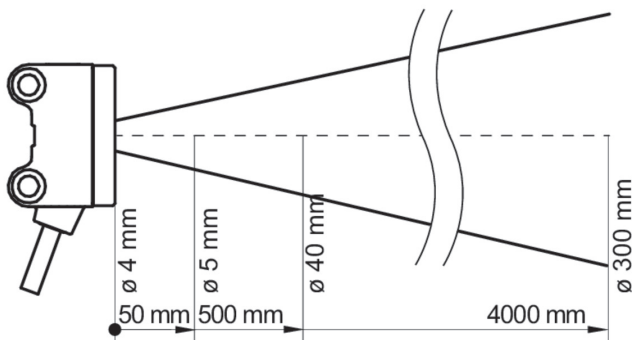
Dimension drawing



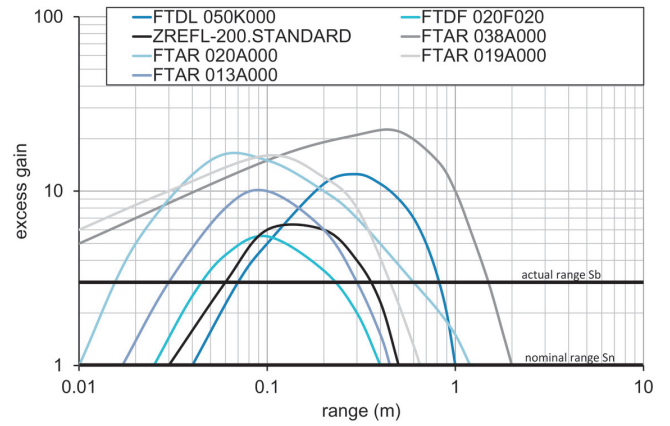
Connection diagram



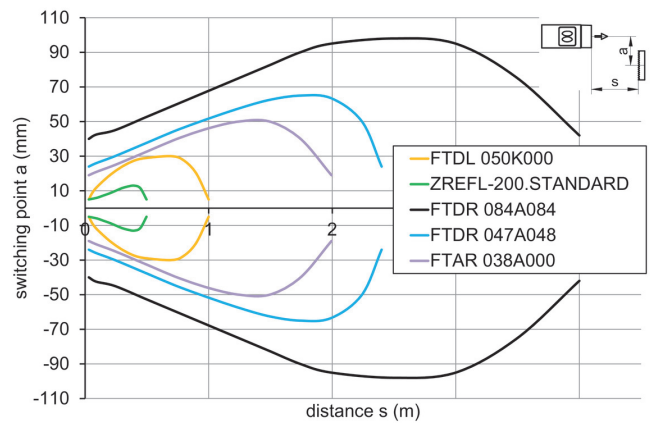
Beam characteristic (typically)



Excess gain curve



Lateral operating range



Excess gain curve

