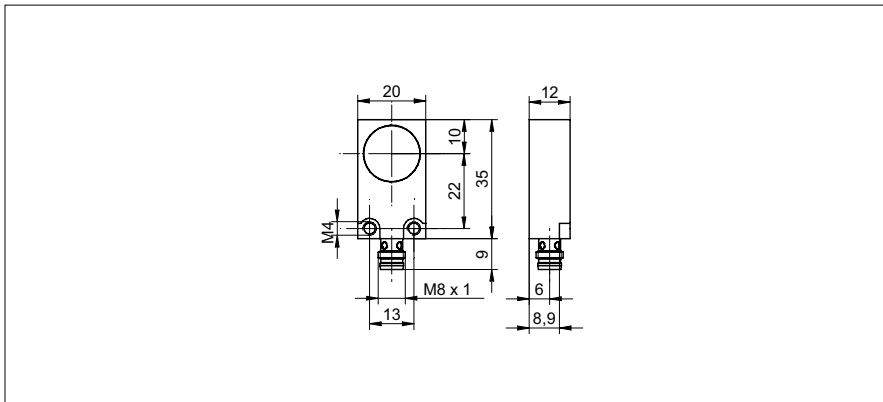


Inductive distance measuring sensors

IWFM 20

sample drawing



general data

mounting type	flush
measuring speed	< 1 mm / ms
repeat accuracy	< 0,01 mm
temperature coefficient	1 µm / (K mm)

electrical data

voltage supply range +Vs	15 ... 30 VDC
residual output ripple	< 0,5 % Vs
short circuit protection	yes
reverse polarity protection	yes

voltage output

current consumption max. (no load)	20 mA
output signal	1 ... 9 VDC
load resistance	> 1000 Ohm

current output

current consumption max. (no load)	35 mA
output signal	4 ... 20 mA
load resistance +Vs min.	< 500 Ohm
load resistance +Vs max.	< 1000 Ohm

mechanical data

type	rectangular
housing material	brass nickel plated
dimension	20 mm
housing length	35 mm
connection types	connector M8

ambient conditions

operating temperature	0 ... +60 °C
protection class	IP 67

sample picture



order reference	measuring distance Sd	reference distance	output circuit	linearity error
IWFM 20I9501/S35	2 ... 5 mm	3,25 ... 3,75 mm	current output	± 100 µm
IWFM 20I9503/S35	2 ... 3 mm	2,35 ... 2,65 mm	current output	± 60 µm
IWFM 20U9501/S35	2 ... 5 mm	3,25 ... 3,75 mm	voltage output	± 100 µm
IWFM 20U9503/S35	2 ... 3 mm	2,35 ... 2,65 mm	voltage output	± 60 µm