

### Overview

- 2 mm
- 1,6 mm
- PNP break function (NC)
- connector M8
- -25 ... 75 °C
- IP 67



Picture similar

### Technical data

#### General data

Mounting type	Flush
Nominal sensing distance S <sub>n</sub>	2 mm
Assured sensing distance S <sub>a</sub>	1,6 mm
Temperature drift	± 10 % of S <sub>r</sub> (0 ... +60 °C)
Hysteresis	3 ... 20 % of S <sub>r</sub>
Output indicator	3 port LED red

#### Electrical data

Switching frequency	< 3 kHz
Voltage supply range +V <sub>s</sub>	10 ... 30 VDC
Current consumption max. (no load)	15 mA
Output circuit	PNP break function (NC)
Voltage drop V <sub>d</sub>	< 2,5 VDC

#### Electrical data

Output current	< 200 mA
Short circuit protection	Yes
Reverse polarity protection	Yes

#### Mechanical data

Type	Cylindrical threaded
Material (sensing face)	PBT, red
Housing material	Stainless steel
Dimension	8 mm
Housing length	36 mm
Connection types	Connector M8
Tightening torque max.	5 Nm

#### Ambient conditions

Operating temperature	-25 ... +75 °C
Protection class	IP 67

### Remarks

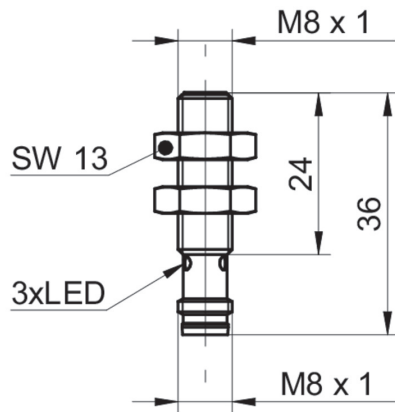
- Compliant with EMC requirements of EN 60947-5-2: 2007

# IGYX 08P37B3/S35L

Inductive proximity switch

Article number: 11084732

## Dimension drawing



## Connection diagram

