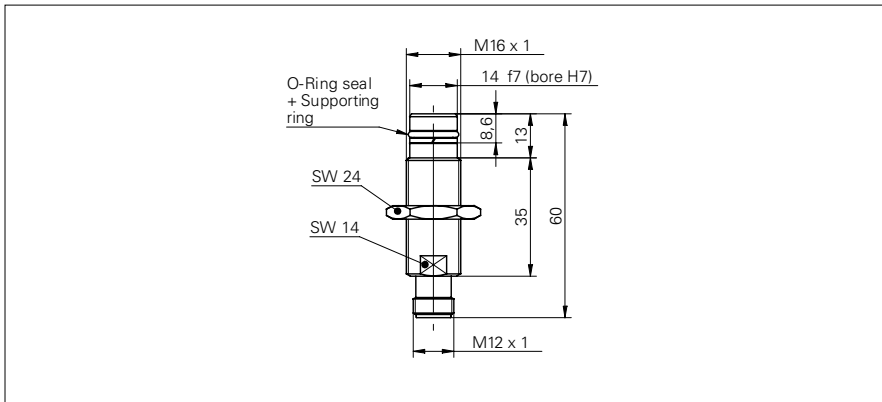


**Inductive sensors special versions**

**IFRP 16P1501/S14**

**dimension drawing**



**general data**

mounting type	flush
special type	high pressure
nominal sensing distance $S_n$	2 mm
hysteresis	2 ... 20 % of $S_r$

**electrical data**

switching frequency	< 3 kHz
voltage supply range +Vs	10 ... 30 VDC
current consumption max. (no load)	12 mA
output circuit	PNP make function (NO)
voltage drop $V_d$	< 2 VDC
output current	< 200 mA
short circuit protection	yes
reverse polarity protection	yes

**mechanical data**

type	cylindrical threaded
material (sensing face)	ceramic
housing material	stainless steel
pressure static	< 500 bar
pressure dynamic	< 350 bar
dimension	16 mm
housing length	60 mm
connection types	connector M12

**ambient conditions**

operating temperature	-25 ... +80 °C
protection class	IP 68/67 (sensing face/sensor)

**photo**



**connection diagram**



**installation drawing**

