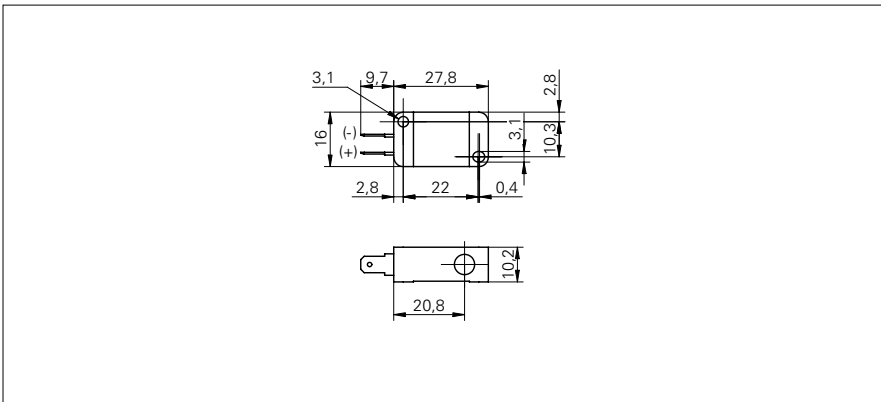


Inductive sensors NAMUR

IFFK 10E9101

dimension drawing



general data

mounting type	non-flush
nominal sensing distance S_n	2 mm

electrical data

switching frequency	< 5 kHz
normal operating voltage	8,2 VDC
voltage supply range +Vs	5 ... 30 VDC
current consumption undamped	> 4 mA
current consumption damped	< 1 mA
current consumption max. (no load)	10 mA
output circuit	NAMUR
residual ripple	< 10 % Vs

mechanical data

type	rectangular
housing material	PBT
dimension	10 mm
housing length	27,8 mm
connection types	spade lug

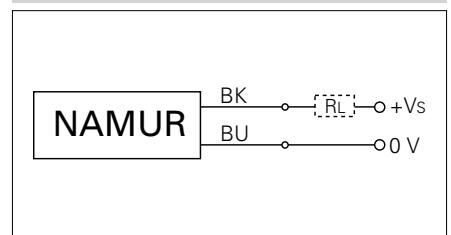
ambient conditions

operating temperature	-25 ... +75 °C
protection class	IP 67

photo



connection diagram



• spade plug: IFFK 10 4,8 x 0,5 mm