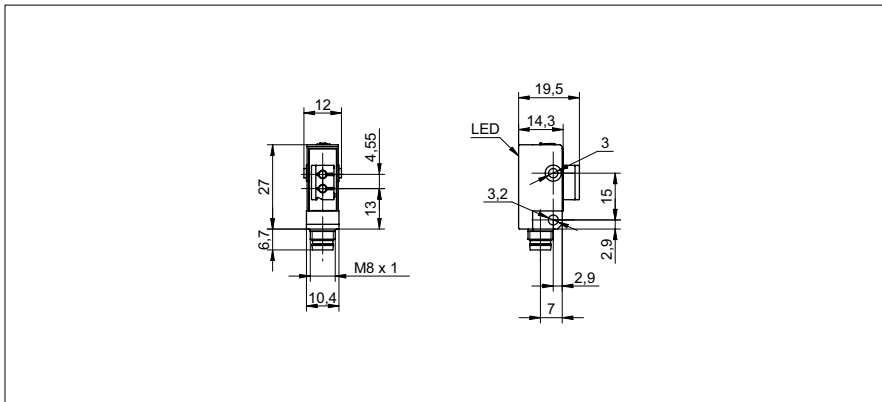


Fiber optic sensors & cables

FVDK 10

sample drawing



general data

actual range Sb (FSE 200C1002)	160 mm
sensing distance Tw (FUE 200C1003)	45 mm
light source	pulsed red LED
light indicator	LED yellow
alignment / soiled lens indicator	flashing light indicator
adjustment	potentiometer, 270°
wave length	660 nm
suppression of reciprocal influence	yes

electrical data

response time / release time	< 1 ms
voltage supply range +Vs	10 ... 30 VDC
current consumption max. (no load)	30 mA
current consumption typ.	20 mA
voltage drop Vd	< 1,8 VDC
output function	light / dark operate
output current	< 100 mA
short circuit protection	yes
reverse polarity protection	yes

mechanical data

width / diameter	10,4 mm
height / length	27 mm
depth	14 mm
type	rectangular
housing material	plastic (ASA)

ambient conditions

operating temperature	-25 ... +55 °C
protection class	IP 40

order reference	output circuit	connection types
FVDK 10N5101	NPN	cable, 2 m
FVDK 10N5101/S35A	NPN	connector M8
FVDK 10P5101	PNP	cable, 2 m
FVDK 10P5101/S35A	PNP	connector M8

sample picture

