

FPDK 14N5101

Retro-reflective sensors - standard

Article number: 11001184

Overview

- retro-reflective sensor
- 7 m
- pulsed red LED
- NPN
- no
- cable 4 pin, 2 m
- -25 ... 65 °C
- IP 67



Picture similar



Technical data

General data

Type	Retro-reflective sensor
Light source	Pulsed red LED
Actual range Sb	7 m
Nominal range Sn	7.2 m
Polarization filter	Yes
Alignment / soiled lens indicator	Flashing light indicator
Light indicator	LED yellow
Sensitivity adjustment	No
Wave length	660 nm
Suppression of reciprocal influence	Yes

Electrical data

Response time / release time	< 1 ms
Voltage supply range +Vs	10 ... 30 VDC
Current consumption max. (no load)	25 mA

Electrical data

Current consumption typ.	20 mA
Voltage drop Vd	< 1.8 VDC
Output function	Light / dark operate
Output circuit	NPN
Output current	< 100 mA
Short circuit protection	Yes
Reverse polarity protection	Yes

Mechanical data

Width / diameter	14.8 mm
Height / length	43 mm
Depth	31 mm
Type	Rectangular
Housing material	Plastic (ASA, MABS)
Front (optics)	PMMA
Connection types	Cable 4 pin, 2 m

Ambient conditions

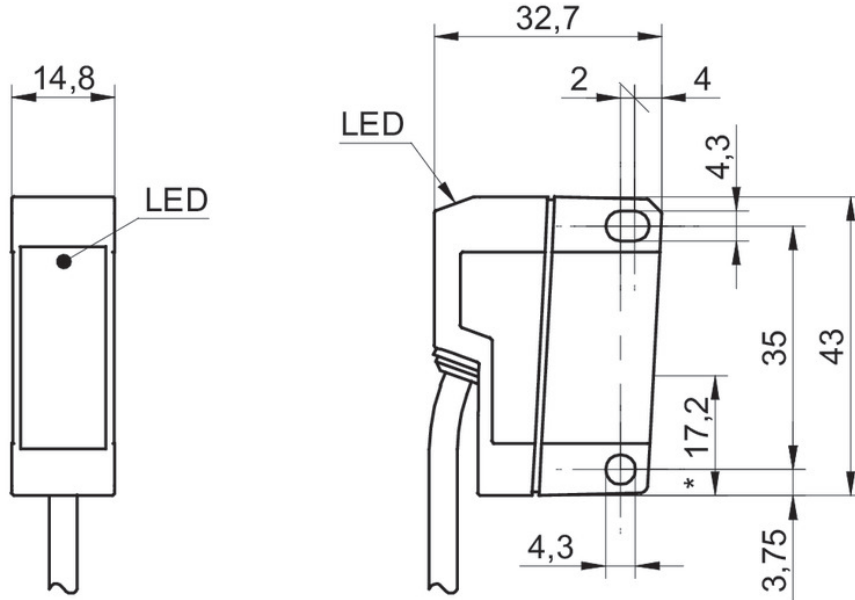
Operating temperature	-25 ... +65 °C
Protection class	IP 67

FPDK 14N5101

Retro-reflective sensors - standard

Article number: 11001184

Technical drawings



Connection diagram

