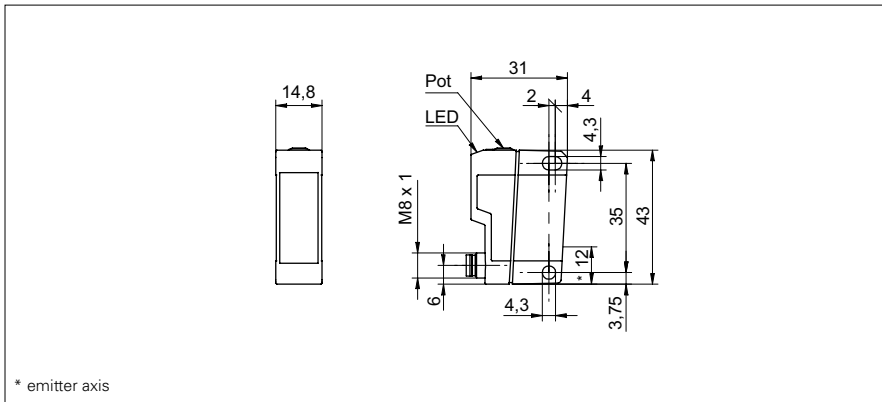


# Diffuse sensors with background suppression

## OHDK 14 (Laser)

**sample drawing**



\* emitter axis

**general data**

type	background suppression
light source	pulsed red laser diode
sensing distance Tw	20 ... 350 mm
sensing range Tb (at Tw max.)	20 ... 350 mm
sensing range Tb (at Tw min.)	5 ... 20 mm
repeat accuracy	< 0,2 mm at laser focus
power on indication	LED green
light indicator	LED yellow
sensing distance adjustment	mechanical, 9 turn
laser class	2
distance to focus	115 mm
wave length	650 nm

**electrical data**

response time / release time	< 0,5 ms
voltage supply range +Vs	10 ... 30 VDC
current consumption max. (no load)	35 mA
current consumption typ.	25 mA
voltage drop Vd	< 2,2 VDC
output function	light / dark operate
output current	< 100 mA
short circuit protection	yes
reverse polarity protection	yes

**mechanical data**

width / diameter	14,8 mm
height / length	43 mm
depth	31 mm
type	rectangular
housing material	plastic (ASA, MABS)
front (optics)	PMMA

**ambient conditions**

operating temperature	-10 ... +50 °C
protection class	IP 67

**sample picture**



**laser warning**

**LASER RADIATION  
DO NOT STARE INTO BEAM**  
Wavelength: 620...680nm  
Max. av. Output: < 1mW  
IEC 60825-1, Ed. 2, 2007  
**CLASS 2 LASER PRODUCT**

Complies with 21 CFR 1040.10 and 1040.11 except for deviations pursuant to laser notice No. 50, dated June 24, 2007

## Diffuse sensors with background suppression

## OHDK 14 (Laser)

order reference	connection types	output circuit
OHDK 14N5101	cable 4 pin, 2 m	NPN
OHDK 14N5101/S14	connector M12 4 pin	NPN
OHDK 14N5101/S35A	connector M8 4 pin	NPN
OHDK 14P5101	cable 4 pin, 2 m	PNP
OHDK 14P5101/S14	connector M12 4 pin	PNP
OHDK 14P5101/S35A	connector M8 4 pin	PNP