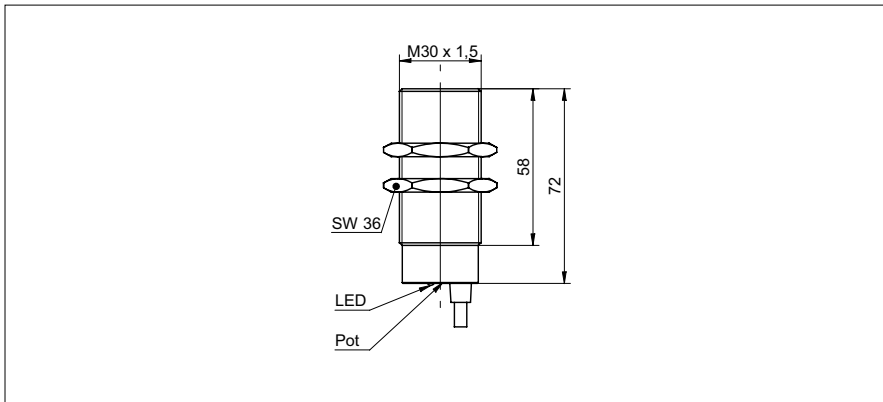


Capacitive proximity sensors

CFAK 30P1200

dimension drawing



general data

| | |
|--|-------------------------|
| nominal sensing distance Sn | 30 mm |
| nominal sensing distance Sn adjustable | 5 ... 30 mm |
| mounting type | non-flush |
| GND electrode | no |
| temperature drift | ± 15 % (+10 ... +70 °C) |
| sensitivity adjustment | potentiometer, 18 turn |
| output indicator | LED yellow |

electrical data

| | |
|------------------------------------|------------------------|
| voltage supply range +Vs | 10 ... 30 VDC |
| current consumption max. (no load) | 20 mA |
| output circuit | PNP make function (NO) |
| output current | < 200 mA |
| voltage drop Vd | < 1,5 VDC |
| switching frequency | < 50 Hz |
| short circuit protection | yes |
| reverse polarity protection | yes |

mechanical data

| | |
|------------------|----------------------|
| type | cylindrical threaded |
| housing material | PBT |
| dimension | 30 mm |
| housing length | 72 mm |
| connection types | cable, 2 m |

ambient conditions

| | |
|-----------------------|--------------------------------|
| operating temperature | -25 ... +75 °C |
| protection class | IP 67/65 (sensing face/sensor) |

field of application

| | |
|--|-----|
| detection of non-conductive media | yes |
| fill level detection through container | yes |
| liquids in direct contact | yes |
| object detection / bulk goods | yes |

photo



connection diagram

