

Kapazitive Sensoren  
Capacitive sensors  
DéTECTEURS capacitifs

---

# CFAK 22U9500/AMP

Füllstandssensor

---

Level sensor

---

Captteur de niveau

---



11149600



Baumer Electric AG · CH-8501 Frauenfeld  
Phone +41 (0)52 728 1122 · Fax +41 (0)52 728 1144

#### Canada

Baumer Inc.  
CA-Burlington, ON L7M 4B9  
Phone +1 (1)905 335-8444

#### Italy

Baumer Italia S.r.l.  
IT-20090 Assago, MI  
Phone +39 (0)2 45 70 60 65

#### China

Baumer (China) Co., Ltd.  
CN-201612 Shanghai  
Phone +86 (0)21 6768 7095

#### Singapore

Baumer (Singapore) Pte. Ltd.  
SG-339412 Singapore  
Phone +65 6396 4131

#### Denmark

Baumer A/S  
DK-8210 Aarhus V  
Phone +45 (0)8931 7611

#### Sweden

Baumer A/S  
SE-56133 Huskvarna  
Phone +46 (0)36 13 94 30

#### France

Baumer SAS  
FR-74250 Fillinges  
Phone +33 (0)450 392 466

#### Switzerland

Baumer Electric AG  
CH-8501 Frauenfeld  
Phone +41 (0)52 728 1313

#### Germany

Baumer GmbH  
DE-61169 Friedberg  
Phone +49 (0)6031 60 07 0

#### United Kingdom

Baumer Ltd.  
GB-Watchfield, Swindon, SN6 8TZ  
Phone +44 (0)1793 783 839

#### India

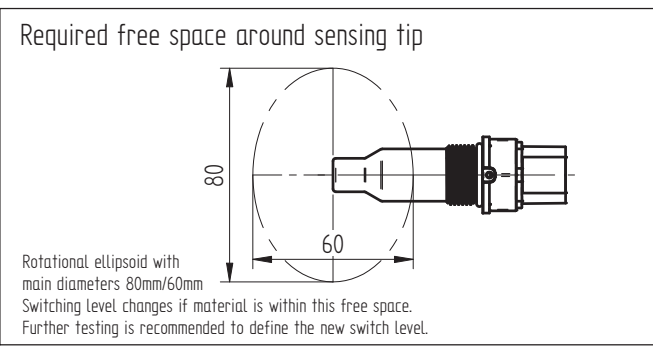
Baumer India Private Limited  
IN-411038 Pune  
Phone +91 20 2528 6833/34

#### USA

Baumer Ltd.  
US-Southington, CT 06489  
Phone +1 (1)860 621-2121

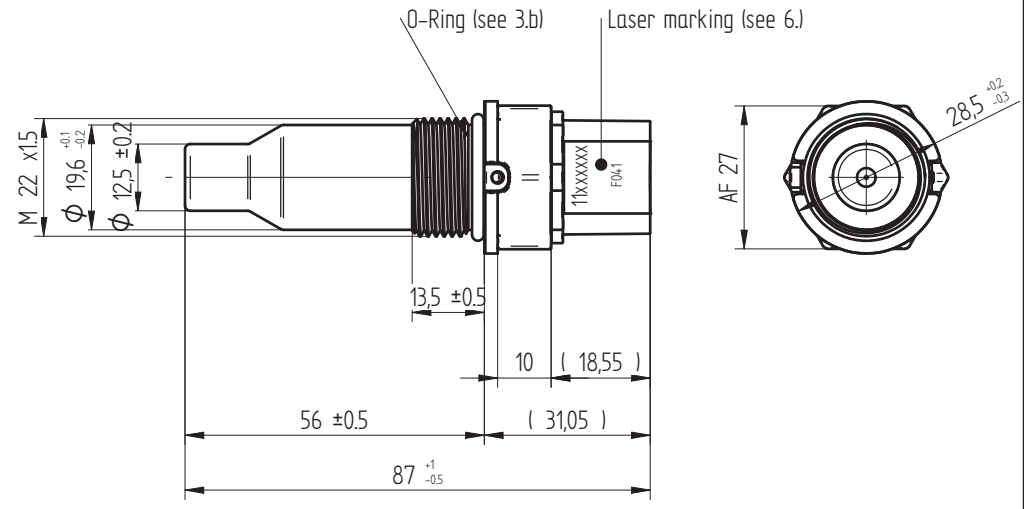
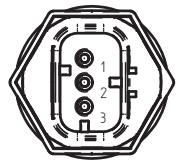
[www.baumer.com/worldwide](http://www.baumer.com/worldwide)


Genauigkeits- grad DIN ISO 2768	0,5 bis 6	über 6 bis 30	über 30 bis 120	über 120 bis 400
f (fein)	+0,05	+0,1	+0,15	+0,2
X m (mittel)	+0,1	+0,2	+0,3	+0,5



- NOTES:
- ELECTRICAL SPECIFICATION
    - VOLTAGE SUPPLY RANGE: 4.75V...5.25V
    - CURRENT CONSUMPTION: < 10mA (average) / ≤ 42mA (peak)
  - OUTPUT FUNCTION
    - HIGH (switch not in liquid): 2.75V...3.25V
    - LOW (switch in liquid): 1.25V...1.75V
    - INTERNAL FAULT: 0.50V...1.00V
    - LOAD: ≥ 930 Ohm to GND
    - LOAD CAPACITANCE: ≤ 200nF
  - MECHANICAL DATA
    - MOUNTING PORT: M22 x 1.5 O-Ring port ISO 6149-1
    - O-RING: 19.3 x 2.2 (SHORE HARDNESS A 90; PEROXID CURED NITRIL RUBBER)
    - MOUNTING THREAD LENGTH: 13.5mm
    - HEXAGON WIDTH: AF 27
    - HOUSING MATERIAL: GRIVORY XE 4027 black 9916
    - HOUSING LENGTH: 87mm +1/-0.5
    - TIGHTENING TORQUE min:10Nm; max: 14Nm
    - SURFACE OF MOUNTING PORT: BLANK METAL, WITHOUT ANY AREAS OF PAINT, GREASE OR OIL
  - AMBIENT CONDITIONS
    - STORAGE TEMPERATURE: -55°...+125°C
    - MEDIUM TEMPERATURE, CONTINUOUS OP: -40°...+100°C
    - MEDIUM TEMPERATURE, UP TO 30min: 115°C
    - ENVIRONMENT TEMPERATURE, CONTINUOUS OP: -40°...+85°C
  - SENSOR MEETS THE REQUIREMENTS OF EMC AND ENVIRONMENT ACC. FSP (must be mounted in metal tank)
    - ELECTROMAGNETIC SUSCEPTIBILITY:
      - ISO 11452-2 (ALSE-Method) Frequency Range: 200...1000MHz, 100V/m
      - ISO 11452-4 (BCI, CW+AM) Frequency Range: 2...400MHz, 200mA
      - ECE R10 Rev.5:
        - ISO 11452-2 (ALSE-Method) Frequency Range: 400...2000MHz, 30V/m
        - ISO 11452-4 (BCI, CW+AM) Frequency Range: 20...400MHz, 60mA
    - COMPONENT LEVEL EMISSION:
      - CISPR 25 (LISN-Method) Frequency Range: 0.53...2MHz;
      - CISPR 25 (CP-Method) Frequency Range: 0.53...2MHz;
      - CISPR 25 (ALSE-Method) Frequency Range: 30...2500MHz
      - ECE R10 Rev.5:
        - CISPR 25 (ALSE-Method) Frequency Range: 30...1000MHz
    - ELECTROSTATIC DISCHARGE (Handling): ISO 10605
      - AIR max. +/- 15kV, Contact max. +/- 8kV
    - ELECTROSTATIC DISCHARGE (Powered): ISO 10605
      - AIR max. +/- 15kV, Contact max. +/- 8kV
    - RAPID MAGNETIC FIELD COLLAPSE TRANSIENT: Vp: 450V;
      - Tau: 14.4E-6; fo: 1MHz; Zout: Rout=50 Ohm/ Cout= 0.1uF;
        - Repetition/ Cycle: ≤ 10Hz/100
      - CLEANING : IP69K acc. ISO 20653
  - PART IS MARKED WITH SUPPLIER LOGO; IDENTIFIER, SUPPLIER
    - DATE CODE: FIRST CHARACTER = YEAR (F=2015; G=2016, ...); SECOND AND THIRD CHARACTER = CALENDAR WEEK; FOURTH CHARACTER = WEEKDAY (1 MONDAY, 2 TUESDAY, ...)
  - ONLY FOR HYDRAULIC OIL DETECTION

MATING CONNECTOR  
TYCO PIN 776429-1  
PIN 1 PWR (5V)  
PIN 2 GND (0V)  
PIN 3 OUTPUT



								Hydraulic Oil Level sensor									
Anz.	Gegenstand						Pos.	Werkstoff				Bemerkungen					
Rev.	Gezeichnet	Freigabe		Rev.	Gezeichnet	Freigabe		Projekt				Oil Level Sensor					
α	05.06.2015	ts	05.06.2015	wemi				Ersetzt durch									
Änd.							Änd.	Ersatz für									
PART NUMBER 11149600								Massstab	Gezeichnet	17.10.2013	ts						
(CFAK 22U9500/AMP)								1:1	Geprüft	02.04.2015	rma						
								1:2	Freigegeben								
 <b>Baumer</b>								<b>Baumer Electric AG</b> Postfach · Hummelstrasse 17 · CH-8501 Frauenfeld Phone +41 (0)52 728 11 22 · Fax +41 (0)52 728 11 44				11149600		C22.3005		A	

Diese Zeichnung ist UNSER EIGENTUM und darf ohne unsere Genehmigung weder nachgebildet, noch vervielfältigt oder Dritten Personen zugänglich gemacht werden.