

## Overview

- distance measuring
- 100 ... 150 mm
- pulsed red laser diode
- Webserver, Ethernet TCP/IP
- connector M12 8 pin & M12 4 pin
- -10 ... 50 °C
- IP 67



Picture similar



## Technical data

### General data

Type	Distance measuring
Version	OM70 multi-spot
Measuring distance Sd	100 ... 150 mm
Measuring range (width)	48 ... 72 mm
Adjustment	Webserver, Ethernet TCP/IP
Power on indication	LED green
Output indicator	LED yellow / LED red
Ethernet link indication	LED blue
Resolution	2 ... 4 µm
Linearity error	± 30 ... 90 µm 1) 2) 4)
Beam type	Multi-spot
Temperature drift	± 0,04 % Sde/K 1) 2) 4)

### Light Source

Light source	Pulsed red laser diode
Wave length	656 nm
Laser class	1

### Electrical data

Response time / release time	3.5 ms 2) 3)
Measuring frequency	570 Hz 2) 3)
Voltage supply range +Vs	15 ... 28 VDC
Current consumption max. (no load)	150 mA
Output current	< 100 mA
Switching output	Push-pull

### Electrical data

Short circuit protection	Yes
Reverse polarity protection	Yes, Vs to GND

### Communication interface

Interface	Ethernet TCP/IP
Protocol	Modbus TCP, OPC UA
Webserver	Yes

### Mechanical data

Width / diameter	26 mm
Height / length	74 mm
Depth	55 mm
Type	Rectangular, front view
Housing material	Aluminum
Front (optics)	Glass
Connection types	Connector M12 8 pin & M12 4 pin
Weight	135 g

### Ambient conditions

Ambient light immunity	< 35 kLux
Protection class	IP 67
Operating temperature	-10 ... +50 °C
Storage temperature	-20 ... +60
Vibration (sinusoidal)	IEC 60068-2-6:2008 1.5 mm p-p at f = 10 - 57 Hz, 10 cycles per axis 10 g at f = 58 - 2000 Hz, 10 cycles per axis

**Technical data**

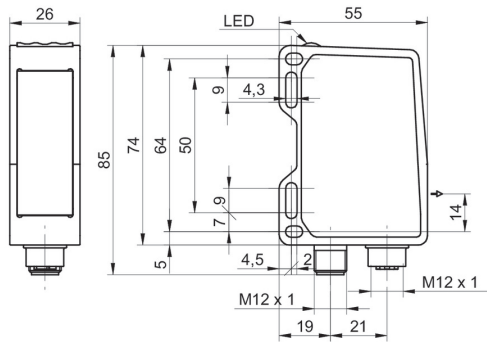
**Ambient conditions**

Shock (semi-sinusoidal) IEC 60068-2-27:2009  
30 g / 11 ms, 6 jolts per axis and direction

**Remarks**

- 1) Measurement with Baumer standardized measuring equipment and targets depending on measuring distance Sd
- 2) Measurement on 90% remission (white)
- 3) Measurement with reduced Field of View (start of measurement range 140 mm, end of measurement range 150 mm)
- 4) Measurement with measuring type average
- 5) Measurement with filtering

**Dimension drawing**



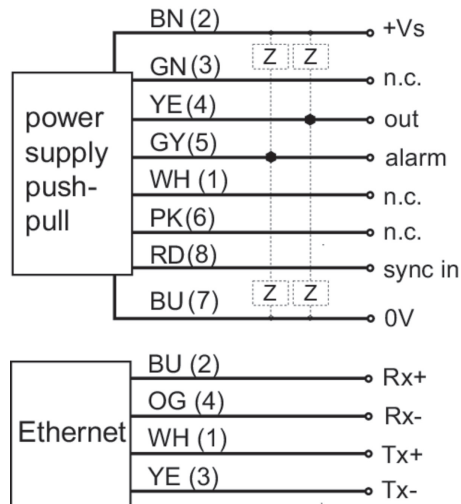
- \* emitter axis

**Laser warning**

**CLASS 1 LASER  
PRODUCT**

IEC 60825-1/2014  
Complies with 21 CFR 1040.10 and 1040.11 except for conformance with IEC 60825-1 Ed. 3., as described in Laser Notice No. 56, dated May 8, 2019

**Connection diagram**



**Pin assignment**

