

**Overview**

- emitter
- through beam sensor
- 25 m
- pulsed red LED
- connector M12 4 pin
- -25 ... 60 °C
- IP 68/69K & proTect+



Picture similar



**Technical data**

**General data**

Type	Through beam sensor
Special type	Washdown design
Emitter / receiver	Emitter
Light source	Pulsed red LED
Actual range Sb	25 m
Nominal range Sn	40 m
Power on indication	LED green
Wave length	645 nm
Alignment optical axis	< 1°
Approvals/certificates	Ecolab

**Electrical data**

Response time / release time	< 0.49 ms
Voltage supply range +Vs	10 ... 30 VDC

**Electrical data**

Current consumption max. (no load)	40 mA
Current consumption typ.	30 mA
Reverse polarity protection	Yes

**Mechanical data**

Width / diameter	20.2 mm
Height / length	47.2 mm
Depth	37.7 mm
Type	Rectangular
Housing material	Stainless steel 1.4404 (V4A)
Front (optics)	PMMA
Connection types	Connector M12 4 pin

**Ambient conditions**

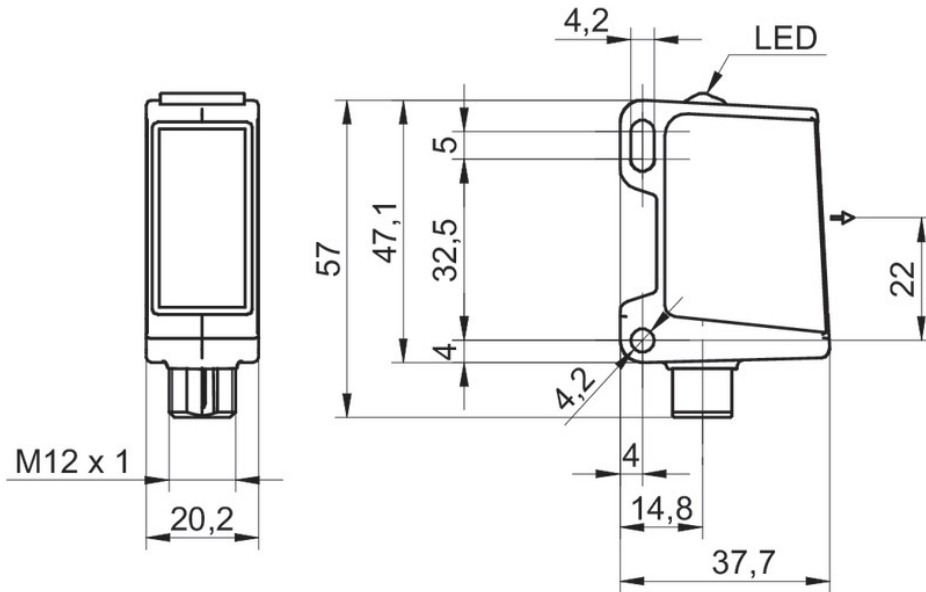
Operating temperature	-25 ... +60 °C
Protection class	IP 68/69K & proTect+

# O500W.TR-ZZZZ.PVO

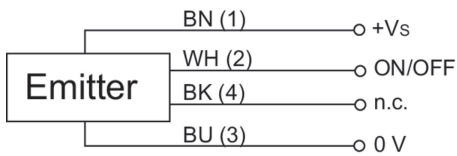
Through beam sensors - washdown

Article number: 11167302

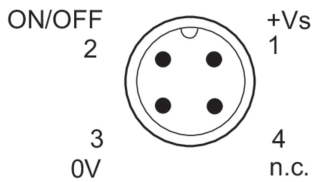
## Technical drawings



## Connection diagram



## Pin assignment



## Beam characteristic (typically)

