

## O500.ER-PV1T.72CU

Through beam sensors - for longer ranges

Article number: 11167282

### Overview

- receiver
- through beam sensor
- 25 m
- PNP complementary
- qTeach
- cable 4 pin, 2 m
- -25 ... 60 °C
- IP 67



Picture similar



### Technical data

#### General data

Type	Through beam sensor
Emitter / receiver	Receiver
Actual range Sb	25 m
Nominal range Sn	40 m
Alignment / soiled lens indicator	Flashing light indicator
Light indicator	LED yellow
Power on indication	LED green
Sensitivity adjustment	qTeach
Alignment optical axis	< 1°

#### Electrical data

Response time / release time	< 0.49 ms
Voltage supply range +Vs	10 ... 30 VDC
Current consumption max. (no load)	40 mA
Current consumption typ.	30 mA

#### Electrical data

Voltage drop Vd	< 3 VDC
Output function	Light / dark operate
Output circuit	PNP complementary
Output current	< 100 mA
Short circuit protection	Yes
Reverse polarity protection	Yes

#### Mechanical data

Width / diameter	18 mm
Height / length	45 mm
Depth	32 mm
Type	Rectangular
Housing material	Plastic (ASA, PMMA)
Front (optics)	PMMA
Connection types	Cable 4 pin, 2 m

#### Ambient conditions

Operating temperature	-25 ... +60 °C
Protection class	IP 67

### Remarks

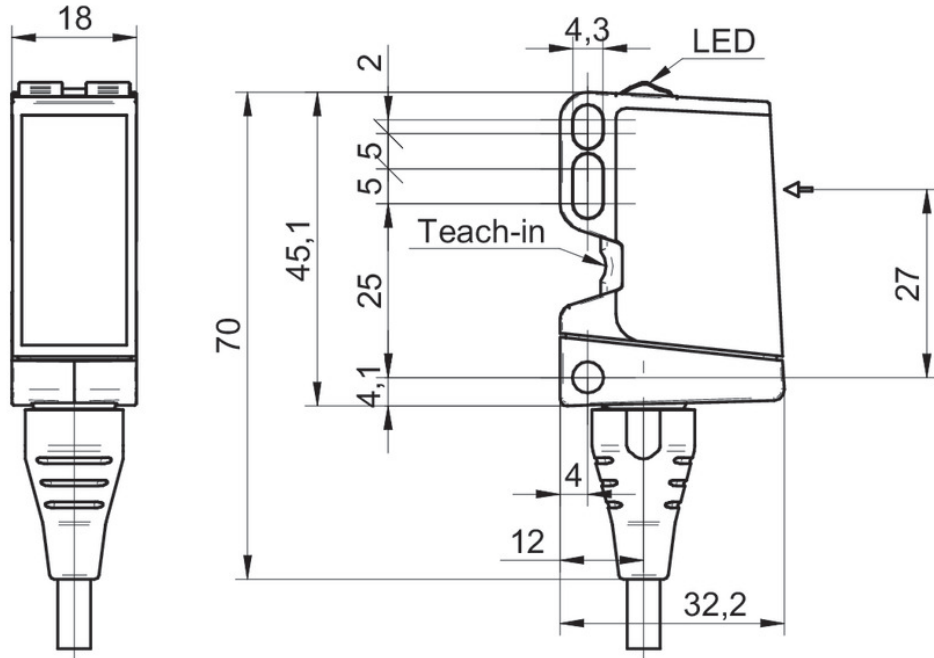
- qTeach

# O500.ER-PV1T.72CU

Through beam sensors - for longer ranges

Article number: 11167282

## Technical drawings



## Connection diagram

