

Overview

- emitter
- through beam sensor
- 25 m
- pulsed red LED
- cable 4 pin, 2 m
- -25 ... 60 °C
- IP 67



Picture similar



Technical data

General data

Type	Through beam sensor
Emitter / receiver	Emitter
Light source	Pulsed red LED
Actual range Sb	25 m
Nominal range Sn	40 m
Power on indication	LED green
Wave length	645 nm
Alignment optical axis	< 1°

Electrical data

Response time / release time	< 0.49 ms
Voltage supply range +Vs	10 ... 30 VDC
Current consumption max. (no load)	40 mA

Electrical data

Current consumption typ.	30 mA
Reverse polarity protection	Yes

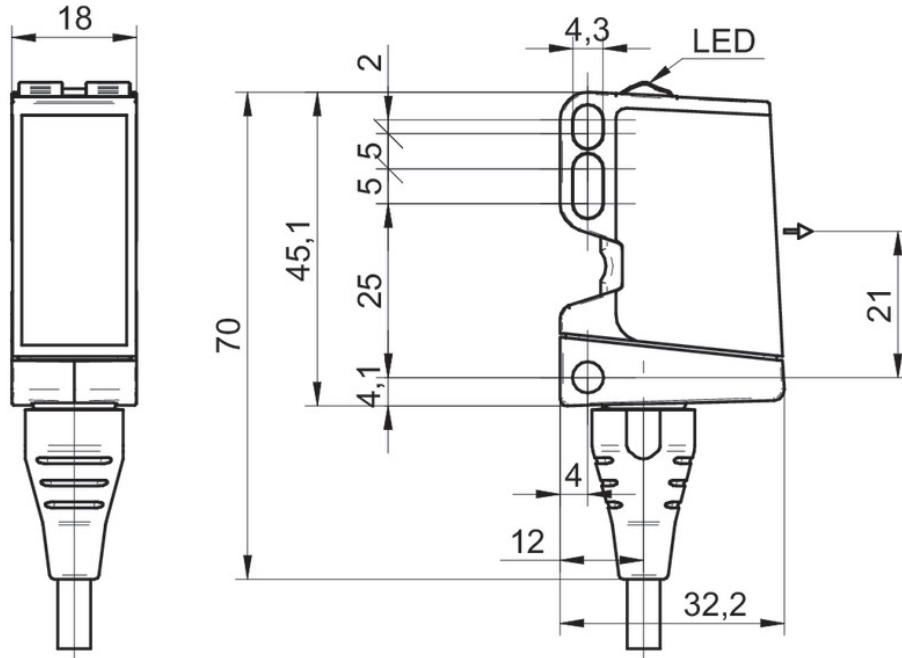
Mechanical data

Width / diameter	18 mm
Height / length	45 mm
Depth	32 mm
Type	Rectangular
Housing material	Plastic (ASA, PMMA)
Front (optics)	PMMA
Connection types	Cable 4 pin, 2 m

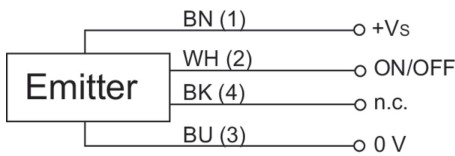
Ambient conditions

Operating temperature	-25 ... +60 °C
Protection class	IP 67

Technical drawings



Connection diagram



Beam characteristic (typically)

