

O500.GR-NV1T.720/T003

Diffuse sensors with background suppression - for longer ranges

Article number: 11135863

Overview

- background suppression
- 60 ... 550 mm
- pulsed red LED
- NPN complementary
- qTeach / 1-Step Teach-in
- connector M12 4 pin
- -25 ... 60 °C
- IP 67



Picture similar



Technical data

General data

Type	Background suppression
Light source	Pulsed red LED
Sensing distance Tw	60 ... 550 mm
Sensing range Tb	30 ... 600 mm
Power on indication	LED green
Light indicator	LED yellow
Sensing distance adjustment	qTeach / 1-Step Teach-in
Wave length	630 nm
Suppression of reciprocal influence	Yes
Alignment optical axis	< 1°

Electrical data

Response time / release time	< 1 ms
Voltage supply range +Vs	10 ... 30 VDC
Current consumption max. (no load)	40 mA

Electrical data

Current consumption typ.	30 mA
Voltage drop Vd	< 3 VDC
Output function	Light / dark operate
Output circuit	NPN complementary
Output current	< 100 mA
Short circuit protection	Yes
Reverse polarity protection	Yes

Mechanical data

Width / diameter	18 mm
Height / length	45 mm
Depth	32 mm
Type	Rectangular
Housing material	Plastic (ASA, PMMA)
Front (optics)	PMMA
Connection types	Connector M12 4 pin

Ambient conditions

Protection class	IP 67
Operating temperature	-25 ... +60 °C

Remarks

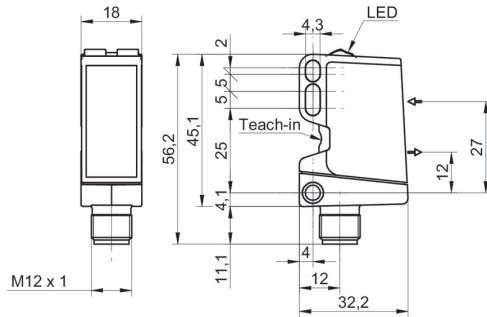
- qTeach

O500.GR-NV1T.720/T003

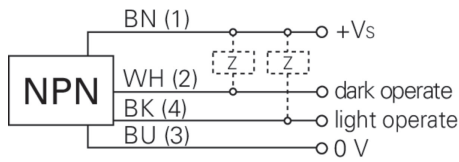
Diffuse sensors with background suppression - for longer ranges

Article number: 11135863

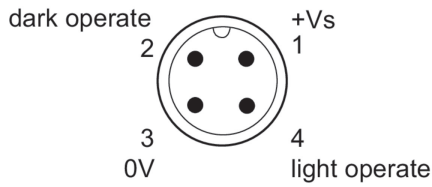
Dimension drawing



Connection diagram



Pin assignment



Beam characteristic (typically)

