

O500.ZR-GW1T.720

Diffuse sensors with intensity difference - for longer ranges

Article number: 11128018

overview

- intensity difference
- 20 ... 600 mm
- pulsed red LED
- push-pull
- qTeach
- -25 ... 60 °C
- IP 67



Picture similar



Technical data

general data

type	intensity difference
light source	pulsed red LED
sensing distance Tw	20 ... 600 mm
power on indication	LED green
light indicator	LED yellow
sensing distance adjustment	qTeach
wave length	630 nm
suppression of reciprocal influence	yes
alignment optical axis	< 1°

electrical data

response time / release time	< 1 ms
voltage supply range +Vs	10 ... 30 VDC
current consumption max. (no load)	40 mA
current consumption typ.	30 mA

electrical data

voltage drop Vd	< 3 VDC
output function	light / dark operate
output circuit	push-pull
output current	< 100 mA
short circuit protection	yes
reverse polarity protection	yes

mechanical data

width / diameter	18 mm
height / length	45 mm
depth	32 mm
type	rectangular
housing material	plastic (ASA, PMMA)
front (optics)	PMMA
connection types	connector M12 4 pin

ambient conditions

operating temperature	-25 ... +60 °C
protection class	IP 67

remarks

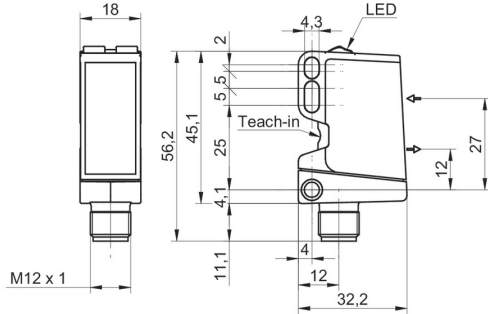
- qTeach

O500.ZR-GW1T.720

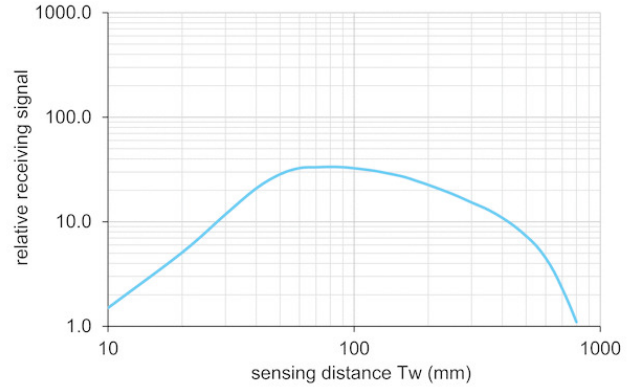
Diffuse sensors with intensity difference - for longer ranges

Article number: 11128018

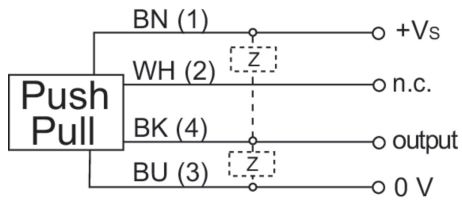
dimension drawing



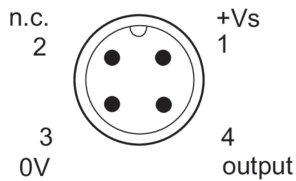
relative receiving signal



connection diagram



pin assignment



beam characteristic (typically)

