

## O500.GR-GW1T.72CU

Diffuse sensors with background suppression - for longer ranges

Article number: 11096063

### overview

- background suppression
- 60 ... 550 mm
- pulsed red LED
- push-pull
- qTeach
- -25 ... 60 °C
- IP 67



Picture similar



### Technical data

general data		electrical data	
type	background suppression	current consumption typ.	30 mA
light source	pulsed red LED	voltage drop Vd	< 3 VDC
sensing distance Tw	60 ... 550 mm	output function	light / dark operate
sensing range Tb	30 ... 600 mm	output circuit	push-pull
power on indication	LED green	output current	< 100 mA
light indicator	LED yellow	short circuit protection	yes
sensing distance adjustment	qTeach	reverse polarity protection	yes
wave length	630 nm	mechanical data	
suppression of reciprocal influence	yes	width / diameter	18 mm
alignment optical axis	< 1°	height / length	45 mm
electrical data		depth	32 mm
response time / release time	< 1 ms	type	rectangular
voltage supply range +Vs	10 ... 30 VDC	housing material	plastic (ASA, PMMA)
current consumption max. (no load)	40 mA	front (optics)	PMMA
		connection types	cable 4 pin, 2 m
		ambient conditions	
		operating temperature	-25 ... +60 °C
		protection class	IP 67

### remarks

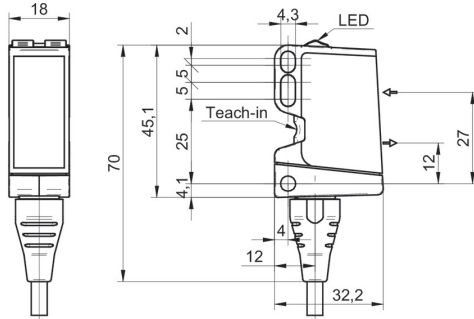
- qTeach

# O500.GR-GW1T.72CU

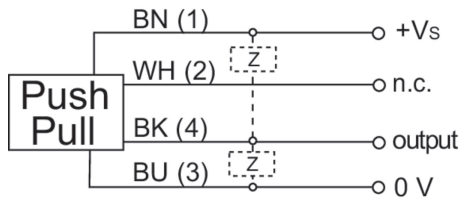
Diffuse sensors with background suppression - for longer ranges

Article number: 11096063

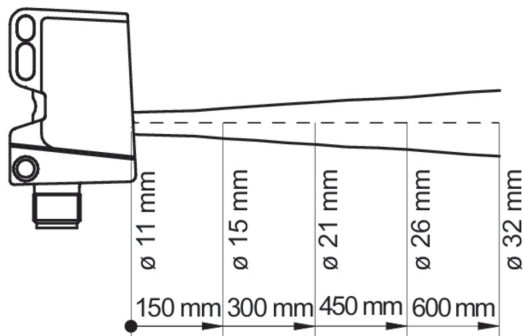
## dimension drawing



## connection diagram



## beam characteristic (typically)



## sensing distance diagram

