

## Features

### Piezo buzzer

- Selectable continuous/intermittent sound, sound pressure: approx. 98±8dB (0.1m)
- Flashes green LED during operating buzzer
- Mounting hole: Ø22/25, Max. panel thickness: 6mm
- IP65 protection structure (front panel)



Piezo buzzer



Magnetic buzzer

### Magnetic buzzer


- Strong bass sound, selectable continuous/intermittent sound, sound pressure: approx. 87±10dB (0.1m)
- Flashes green or red LED during operating buzzer
- Mounting hole: Ø22/25, Max. panel thickness: 6mm
- IP30 protection structure (front panel)

### Melody buzzer

- Selectable melody among 4 types and adjustable sound pressure, sound pressure: approx. 105dB (0.1m)
- Flashes red LED during operating buzzer
- Mounting hole: Ø66
- IP65 protection structure (front panel)
- One-touch screwless connection with end sleeve (ferrule) crimp terminal



Melody buzzer

 Please read "Safety Considerations" in operation manual before using this unit.



## Specifications

Items	Piezo buzzer	Magnetic buzzer	Melody buzzer	
Model	B2PB-B1D	B2NB-B1D-□ <sup>※1</sup>	B6MA-4GD□ <sup>※2</sup>	B6MA-4GL□ <sup>※2</sup>
Power supply	12-24VDC		12-24VDC	110-220VAC 50/60Hz
Power consumption	Max. 0.6W	Max. 1.5W	Max. 3W	Max. 5W
Sound pressure	Approx. 98±8dB (0.1m) <sup>※3</sup>	Approx. 87±10dB (0.1m) <sup>※3</sup>	Max. 105dB (0.1m), Max. 95dB (1m)	
Sound type	Continuous sound/Intermittent sound		4 types (ambulance, police, ringtone, for elise) <sup>※4</sup>	
Mounting hole	Ø22/25 compatible		Ø66	
Operation indicator	Green LED	Green LED, Red LED	Red LED	
Insulation resistance	Min. 1,000MΩ (500VDC megger)	Min. 50MΩ (500VDC megger)	Min. 1,000MΩ (between all terminals and case 500VDC megger)	
Dielectric strength	500VAC 50/60Hz for 1 min. (between all terminals and case)	1,000VAC 50/60Hz for 1 min. (between all terminals and case)	500VAC 50/60Hz for 1 min. (between all terminals and case)	2,000VAC 50/60Hz for 1 min. (between all terminals and case)
Vibration	0.75mm amplitude at frequency of 10 to 55Hz (for 1 min.) in each X, Y, Z direction for 1 hour		0.75mm amplitude at frequency of 10 to 55Hz (for 1 min.) in each X, Y, Z direction for 2 hours	
Shock	500m/s <sup>2</sup> (approx. 50G) in each X, Y, Z direction for 3 times			
Environment	Ambient temperature	-15 to 55°C, storage: -25 to 65°C		-10 to 55°C, storage: -20 to 65°C
	Ambient humidity	35 to 85%RH, storage: 35 to 85%RH		
Protection structure	IP65 (front panel)	IP30 (front panel)	IP65 (front panel)	
Material	Body	PA6		PC
	Cap	PC		PC
Tightening torque	4.08 to 6.12kgf-cm (0.4 to 0.6N-m)			
Approval	CE			
Weight	Approx. 305g (approx. 18g) <sup>※5</sup>	Approx. 214g (approx. 14g) <sup>※5</sup>	Approx. 170g (approx. 130g) <sup>※6</sup>	

※1: □ indicates operation color: G (green LED), R (red LED)

※2: □ indicates input type: N (NPN open collector input), P (PNP open collector input)

※3: It is for power supply 24VDC. (Sound pressure may be decreased for using 12VDC)

※4: You may sample the melodies at [www.autonics.com](http://www.autonics.com)

※5: The weight is for 10 units including packaging. The weight in parenthesis is for a single unit.

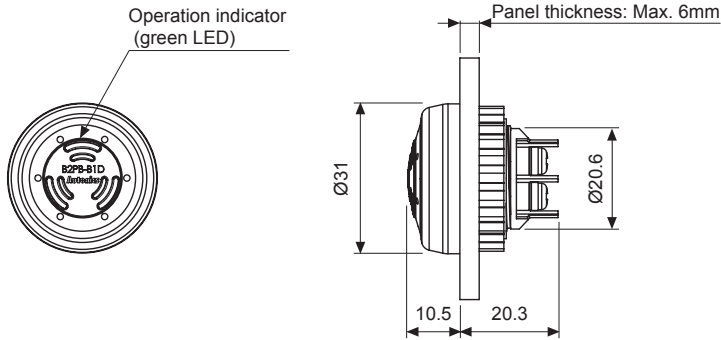
※6: The weight includes packaging. The weight in parentheses is for unit only.

※Environment resistance is rated at no freezing or condensation.

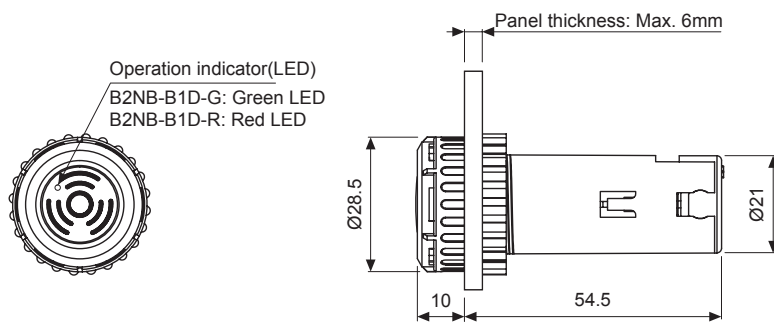
## Dimensions

### ● Piezo buzzer

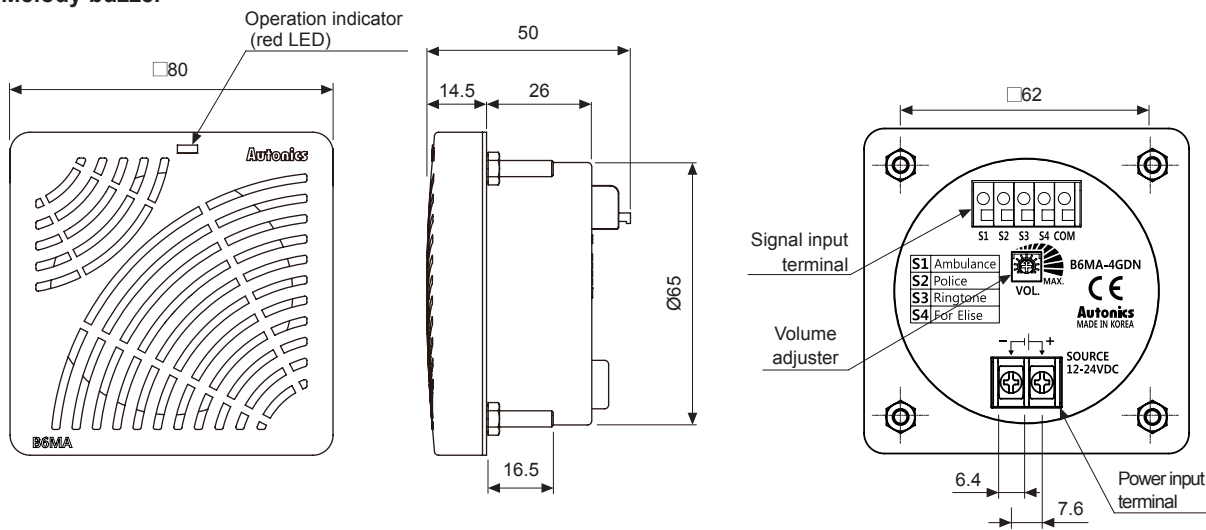
(unit: mm)



### ● Magnetic buzzer



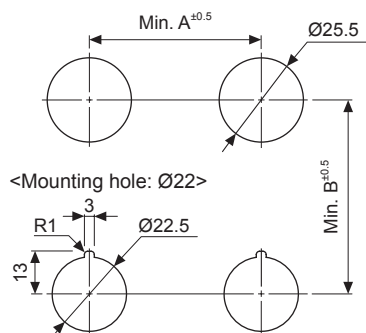
### ● Melody buzzer



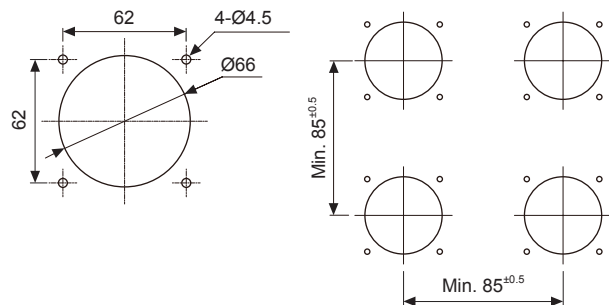
## Panel cut-out dimensions

### ● Piezo buzzer/Magnetic buzzer

<Mounting hole: Ø25>



### ● Melody buzzer



Item	A	B
Piezo buzzer	50	50
Magnetic buzzer	50	50

## Control Switches

Ø22/25

Ø30

Ø30

## Round Push Button Switches

## Square Push Button Switches

## Selector Switches

## Key Selector Switches

## Double Push Button Switches

## Mushroom-head Push Button Switches

## Emergency Switches

## Pilot Lights

## Accessories

## Buzzers

## Modular Terminal Blocks

TUM(Spring Type)

TUW1(Dual Spring Type)

TM(Manual Type)

## I/O Terminal Blocks

AFS(Interface Terminal Block)

AFS/AFR(Interface Terminal Block)

ACS(Common Terminal Block)

AFE(Sensor Connector Terminal Block)

ABS(Relay Terminal Block)

ABL(Relay Terminal Block)

Power Relay

## I/O Cables

MITUBISHI

LSIS

Autonics

RS Automation

YOKOGAWA

FUJI

KDT

OMRON

TELEMECANIQUE

For SERVO

Open Type Cables

Cable Appearance

## Remote I/O Terminal Blocks

ARD(DeviceNet Digital Standard Terminal Type)

ARD(DeviceNet Digital Sensor Connector Type)

ARD(DeviceNet Analog Standard Terminal Type)

ARM(Modbus Digital Sensor Connector Type)

## Others

## Sensor Connectors

## Sockets

## Sensor Distribution Boxes

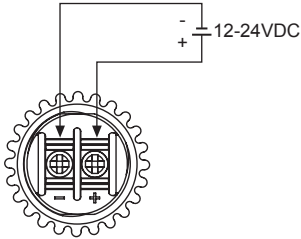
## Valve Plugs

## Thumbwheel Switches

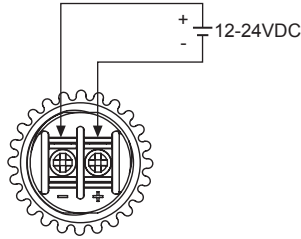
## ■ Setting Buzzer Type

### ● Piezo buzzer

1. Continuous sound

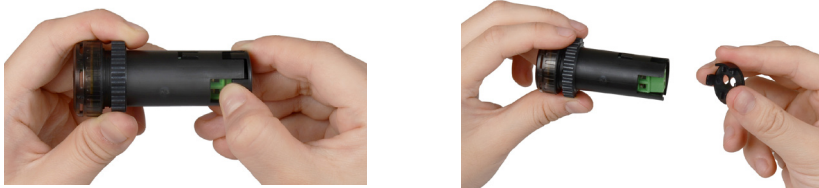


2. Intermittent sound



### ● Magnetic buzzer

1. Remove the bottom cover from the buzzer.



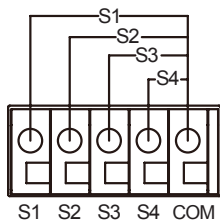
2. Remove the jumper pin using a flat-head (-) screwdriver.



※Buzzer type: Continuous sound: beep————, Intermittent sound: beep-, beep-  
 Jumper pin attached: Intermittent sound  
 Jumper pin removed: Continuous sound

### ● Melody buzzer

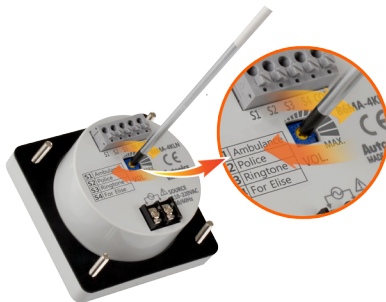
Connect the COM terminal and the desired melody terminal with end sleeve (ferrule) crimp terminal.



No.	Terminals	Melody type
1	COM-S1	Ambulance
2	COM-S2	Police
3	COM-S3	Ringtone
4	COM-S4	For elise

※You may sample the melodies at [www.autonics.com](http://www.autonics.com).

※Easily adjust the melody volume with a cross-head (+) screwdriver



※Convenient wiring: One-touch screwless connection with end sleeve (ferrule) crimp terminal

