



MS86W Series

Ø86mm LED Low-head
Multi-Function indicator light

- 2 flashing patterns, Rotation, and continuous flashing
- Energy efficient: Low power consumption
- Main body: heat resistant ABS resin
- Good for both indoor or outdoor



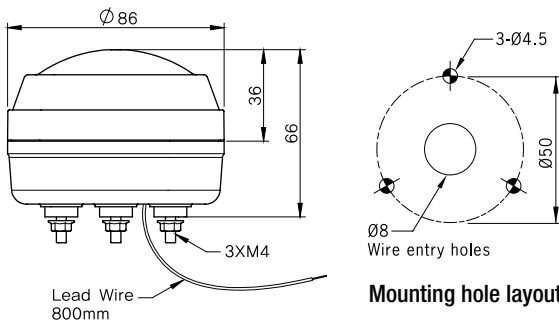
Ordering Information

MS86W - R 00 - R
① ② ③

① Style	R	LED Steady + Flashing + Rotating
	B	LED Steady + Flashing + Rotating w/Alarm (on 24V AC/DC only)
② Power	00	12-24V AC/DC
	FF	90-240V AC
③ Lens Colors	R	Red
	Y	Yellow
	G	Green
	B	Blue
	C	Clear

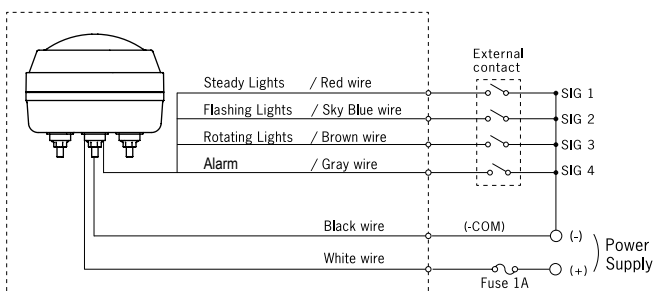
Dimensions

unit: mm



Mounting hole layout

Wiring Diagram



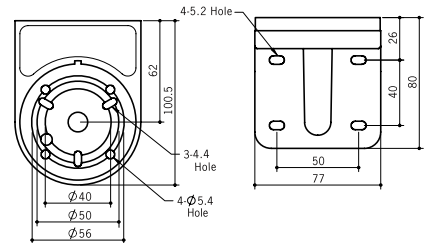
Specifications

Lighting type	LED Steady, Flashing, & Rotating	
Input Voltate Options	12~24V AC/DC (±5%)	
Current Consumption	R	500mA
	Y	500mA
	G	305mA
	B	350mA
	C	375mA
	Alarm	30mA
Flashing cycle	Approx. 80 ±10 flashes/minute	
Continuous Flashing	Approx. 320 ±10 flashes/minute	
Rotating cycle	Approx. 130 ±20 rpm (clockwise rotation)	
Alarm Sound Level	80 ±5dB at 1m	
Vibration	Operating extremes:10~55 Hz, amplitude 0.75mm	
Insulation Resistance	100 MΩ minimum (500VDC mega)	
Ambient Temperature	-15~40°C	
Storage Temperature	-20~70°C	
Ambient Humidity	45~85% RH	
Degree of Protection	IP65	
Recommended Wire Size	UL1007/22AWG	
Weight	170g	
Certificate/Compliance	RoHS, UL	

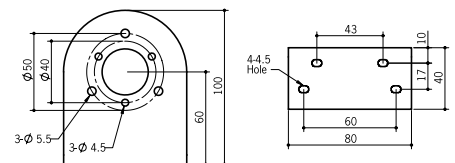
Wall mounting options (for all MS86 Series)



Model: MAM-DS30
Material: ABS resin



Model: MAM-DS26
Material: Steel



See page B1 - B2
for mounting options and accessories