



MS115T Series

Ø115mm LED flashing light with high brightness



- Low body type (20mm)
- Wide light distribution with prism-cut lens
- Outstanding visibility at distance
- Installation: upright, inverted, sideways
- IP65 rated

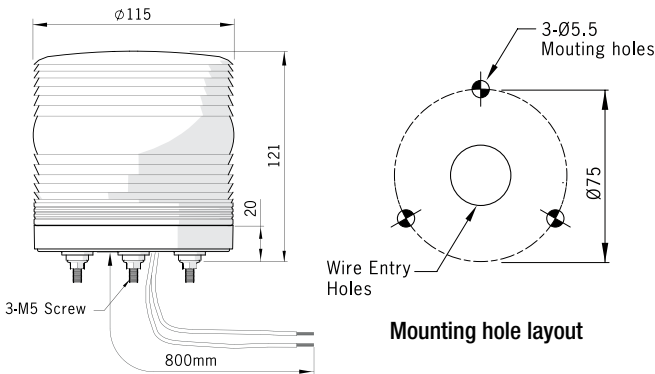
Ordering Information

MS115T R 00 - R
 ① ② ③

① Light Style	R	Steady/Flashing/Rotating
	B	Steady/Flashing/Rotating+Alarm
② Power	00	12 - 24V AC/DC
	FF	90 - 240V AC
③ Lens Colors	R	Red
	Y	Yellow
	G	Green
	B	Blue
	C	Clear

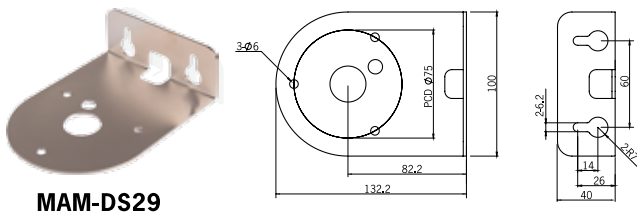
Dimensions

unit: mm



Mounting hole layout

Wall mounting options (for all MS115 Series)



MAM-DS29

Specifications

Lighting type	LED Flashing/Rotating w/Buzzer		
Power Supply	12-24V AC/DC	90-240V AC	
Current Consumption	Red	370~540mA	50~75mA
	Yellow	370~530mA	50~70mA
	Green	150~245mA	25~40mA
	Blue	370~540mA	50~75mA
	Clear	150~240mA	25~40mA
	Alarm	150mA	
Flash Rate	F1: 80 ±5 flashes/minute F3: 240 ±5 flashes/minute		
Rotation Rate	60 ~ 300 rpm (Clockwise)		
Alarm Sound Level	100dB at 1m		
Vibration	0.75mm at 10~55 Hz		
Ambient Temperature	-20~40°C		
Storage Temperature	-20~70°C		
Ambient Humidity	45~85% RH		
Degree of Protection	IP65		
Approvals	RoHS		
Recommended Wire Size	UL1007/22AWG		
Weight	360g		
Certificate/Compliance	RoHS, UL		

Wiring Diagram

