



NEW
NEW

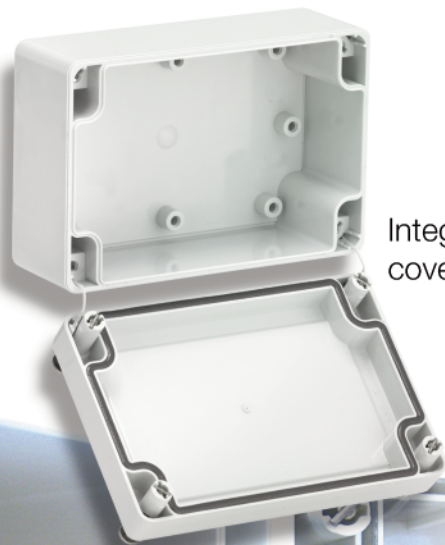
TG Series

Featuring an attractive, high-gloss finish, the TG enclosure series is manufactured from high-quality plastics, with a choice of ABS or Polycarbonate for unsurpassed industrial quality. These high quality materials are impact and flame resistant as well as being halogen free. Rated to protection class IP 67, they are not only dustproof but also reliably protect installed electrical or electronic equipment against ingress of water during short-term submersion. The TG series therefore satisfies the most demanding applications and provides sure protection in harsh industrial environments even for highly sensitive electronics.

- 16 sizes available
- IP67 (NEMA TYPE 4X)
- ABS or Polycarbonate
- Gray or transparent covers
- Smooth Sidewalls
- Stainless Steel cover screws
(choice of standard screws or 1/4 turn quick release screws)
- Integral cover retainers
- Integral mounting studs in base
- Recessed cover for label inlays or membrane keypads
- Flame resistant and halogen free

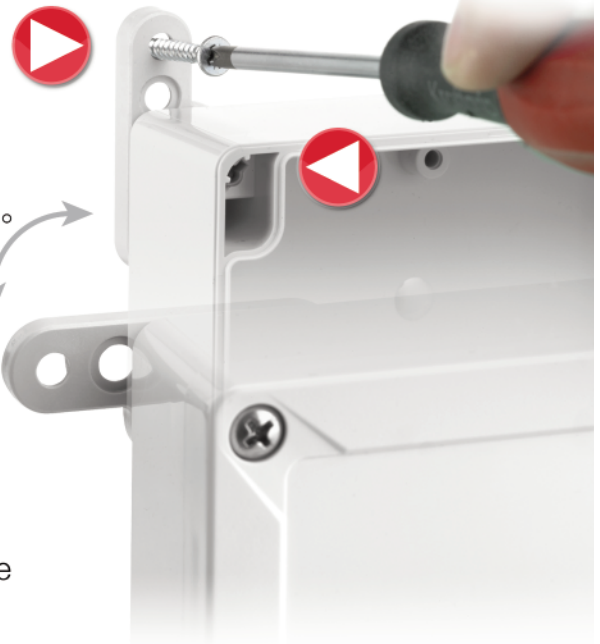
The TG Advantage

Recess in cover for inlays.



Integrated cover retainer.

Enclosure mounts through corner holes or with optional mounting kit.



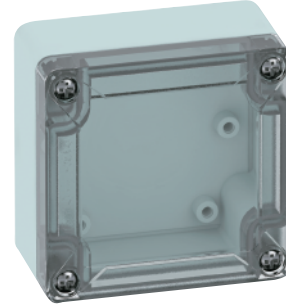
Rotates 90°

Internal hinges available on some models.

TG88-6 – ABS and Polycarbonate – 84 x 82 x 55 mm (3.31 x 3.23 x 2.17 in.)

Standard Features

- **Protection Level:** IP67 (NEMA 4X)
- **Technical:**
 - Smooth Sidewalls
 - Gray or Transparent Cover
 - Standard or Quick Turn Screws
 - 60 x 58 x 0.4 mm Recess in Cover
 - Integrated Cover Retainer
- **UL Recognized Enclosure Materials:** ABS or Polycarbonate
- **Transparent Cover Material:** Polycarbonate
- **Gasket Material:** Polyurethane
- **Color:** Light Gray
- **Material Temperature Range:**
 - ABS: -40°C to 80°C (-40°F to 176°F)
 - Polycarbonate: -40°C to 120°C (-40°F to 248°F)
- **Accessories:** See section below



E208470
Polycarbonate with
standard screws Only

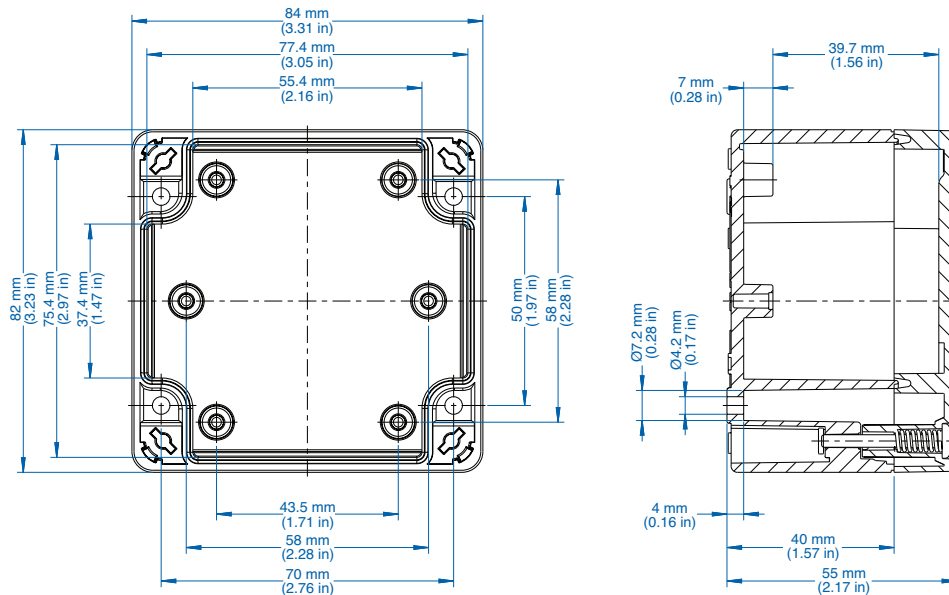
TG

| Ordering Information | Cat. No. w/ Standard Screws | Cat. No. w/ Quick Turn Screws | Type | Length | Dimensions mm (in) Width | Height | Std. Pk. |
|----------------------|-----------------------------|-------------------------------|--------------|------------------|-----------------------------|------------------|----------|
| ABS | | | | | | | |
| Gray cover | 100-403-91 | 100-403-01 | TGABS88-6-o | 84 mm (3.31 in.) | 82 mm (3.23 in.) | 55 mm (2.17 in.) | 1 |
| Transparent cover | 101-003-91 | 101-003-01 | TGABS88-6-to | 84 mm (3.31 in.) | 82 mm (3.23 in.) | 55 mm (2.17 in.) | 1 |
| Polycarbonate | | | | | | | |
| Gray cover | 200-403-91 | 200-403-01 | TGPC88-6-o | 84 mm (3.31 in.) | 82 mm (3.23 in.) | 55 mm (2.17 in.) | 1 |
| Transparent cover | 201-003-91 | 201-003-01 | TGPC88-6-to | 84 mm (3.31 in.) | 82 mm (3.23 in.) | 55 mm (2.17 in.) | 1 |

Accessories

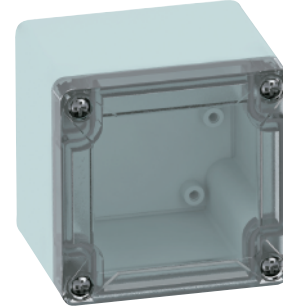
| Ordering Information | Cat. No. | Type | Std. Pk. |
|--------------------------|----------|----------|----------|
| Mounting Plate (plastic) | 186-003 | TGMPI-88 | 1 |
| Mounting Plate (steel) | 187-003 | TGMPS-88 | 1 |
| DIN Rail – TS35-68 | 198-068 | NS35-68 | 1 |
| DIN Rail - TS15-68 | 197-069 | TS15-68 | 1 |
| Mounting Tab Kit | 182-002 | TGABL | 1 |

Please refer to pages 136-140 additional accessories and detailed information



Standard Features

- **Protection Level:** IP67 (NEMA 4X)
- **Technical:** Smooth Sidewalls
Gray or Transparent Cover
Standard or Quick Turn Screws
60 x 58 x 0.4 mm Recess in Cover
Integrated Cover Retainer
- **UL Recognized Enclosure Materials:** ABS or Polycarbonate
- **Transparent Cover Material:** Polycarbonate
- **Gasket Material:** Polyurethane
- **Color:** Light Gray
- **Material Temperature Range:** ABS
-40°C to 80°C (-40°F to 176°F)
Polycarbonate
-40°C to 120°C (-40°F to 248°F)
- **Accessories:** See section below



E208470
Polycarbonate with standard screws Only

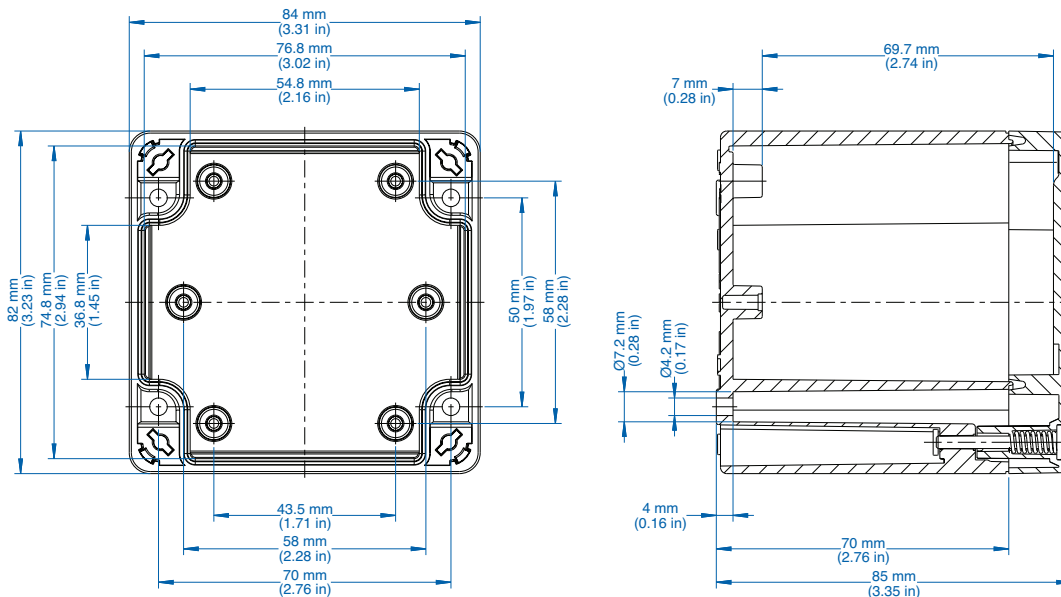
TG

| Ordering Information | Cat. No. w/ Standard Screws | Cat. No. w/ Quick Turn Screws | Type | Length | Dimensions mm (in) Width | Height | Std. Pk. |
|----------------------|-----------------------------|-------------------------------|--------------|------------------|-----------------------------|------------------|----------|
| ABS | | | | | | | |
| Gray cover | 100-903-91 | 100-903-01 | TGABS88-9-o | 84 mm (3.31 in.) | 82 mm (3.23 in.) | 85 mm (3.35 in.) | 1 |
| Transparent cover | 101-503-91 | 101-503-01 | TGABS88-9-to | 84 mm (3.31 in.) | 82 mm (3.23 in.) | 85 mm (3.35 in.) | 1 |
| Polycarbonate | | | | | | | |
| Gray cover | 200-903-91 | 200-903-01 | TGPC88-9-o | 84 mm (3.31 in.) | 82 mm (3.23 in.) | 85 mm (3.35 in.) | 1 |
| Transparent cover | 201-503-91 | 201-503-01 | TGPC88-9-to | 84 mm (3.31 in.) | 82 mm (3.23 in.) | 85 mm (3.35 in.) | 1 |

Accessories

| Ordering Information | Cat. No. | Type | Std. Pk. |
|--------------------------|----------|----------|----------|
| Mounting Plate (plastic) | 186-003 | TGMPI-88 | 1 |
| Mounting Plate (steel) | 187-003 | TGMPS-88 | 1 |
| DIN Rail – TS35-68 | 198-068 | NS35-68 | 1 |
| DIN Rail - TS15-68 | 197-069 | TS15-68 | 1 |
| Mounting Tab Kit | 182-002 | TGABL | 1 |

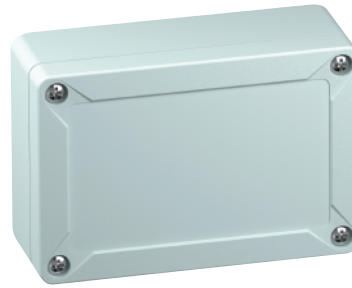
Please refer to pages 136-140 additional accessories and detailed information



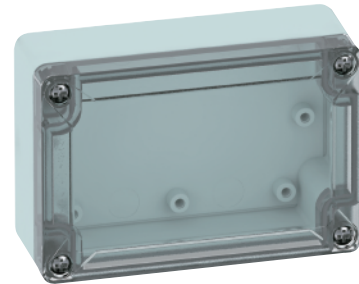
TG1208-6 – ABS and Polycarbonate – 122 x 82 x 55 mm (4.80 x 3.23 x 2.17 in.)

Standard Features

- **Protection Level:** IP67 (NEMA 4X)
- **Technical:**
 - Smooth Sidewalls
 - Gray or Transparent Cover
 - Standard or Quick Turn Screws
 - 98 x 58 x 0.4 mm Recess in Cover
 - Integrated Cover Retainer
- **UL Recognized Enclosure Materials:** ABS or Polycarbonate
- **Transparent Cover Material:** Polycarbonate
- **Gasket Material:** Polyurethane
- **Color:** Light Gray
- **Material Temperature Range:**
 - ABS: -40°C to 80°C (-40°F to 176°F)
 - Polycarbonate: -40°C to 120°C (-40°F to 248°F)
- **Accessories:** See section below



E208470
Polycarbonate with standard screws Only



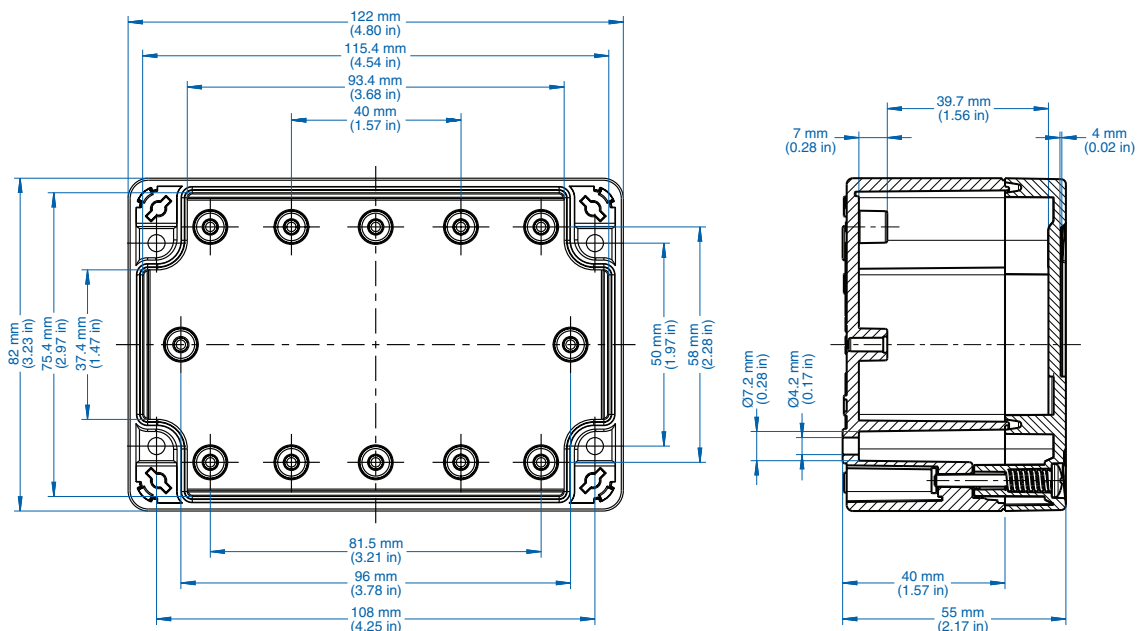
TG

| Ordering Information | Cat. No. w/ Standard Screws | Cat. No. w/ Quick Turn Screws | Type | Length | Dimensions mm (in) Width | Height | Std. Pk. |
|----------------------|-----------------------------|-------------------------------|----------------|-------------------|-----------------------------|------------------|----------|
| ABS | | | | | | | |
| Gray cover | 100-404-91 | 100-404-01 | TGABS1208-6-o | 122 mm (4.80 in.) | 82 mm (3.23 in.) | 55 mm (2.17 in.) | 1 |
| Transparent cover | 101-004-91 | 101-004-01 | TGABS1208-6-to | 122 mm (4.80 in.) | 82 mm (3.23 in.) | 55 mm (2.17 in.) | 1 |
| Polycarbonate | | | | | | | |
| Gray cover | 200-404-91 | 200-404-01 | TGPC1208-6-o | 122 mm (4.80 in.) | 82 mm (3.23 in.) | 55 mm (2.17 in.) | 1 |
| Transparent cover | 201-004-91 | 201-004-01 | TGPC1208-6-to | 122 mm (4.80 in.) | 82 mm (3.23 in.) | 55 mm (2.17 in.) | 1 |

Accessories

| Ordering Information | Cat. No. | Type | Std. Pk. |
|--------------------------|----------|------------|----------|
| Mounting Plate (plastic) | 186-004 | TGMPI-1208 | 1 |
| Mounting Plate (steel) | 187-004 | TGMPS-1208 | 1 |
| DIN Rail – TS35-106 | 198-107 | NS35-106/2 | 1 |
| DIN Rail - TS15-106 | 197-107 | TS15-106/2 | 1 |
| Mounting Tab Kit | 182-002 | TGABL | 1 |

Please refer to pages 136-140 additional accessories and detailed information

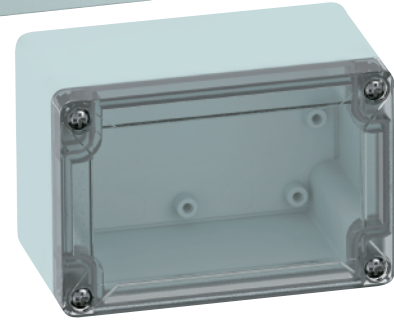


Standard Features

- **Protection Level:** IP67 (NEMA 4X)
- **Technical:**
 - Smooth Sidewalls
 - Gray or Transparent Cover
 - Standard or Quick Turn Screws
 - 98 x 58 x 0.4 mm Recess in Cover
 - Integrated Cover Retainer
- **UL Recognized Enclosure Materials:** ABS or Polycarbonate
- **Transparent Cover Material:** Polycarbonate
- **Gasket Material:** Polyurethane
- **Color:** Light Gray
- **Material Temperature Range:**
 - ABS: -40°C to 80°C (-40°F to 176°F)
 - Polycarbonate: -40°C to 120°C (-40°F to 248°F)
- **Accessories:** See section below



E208470
Polycarbonate with standard screws Only



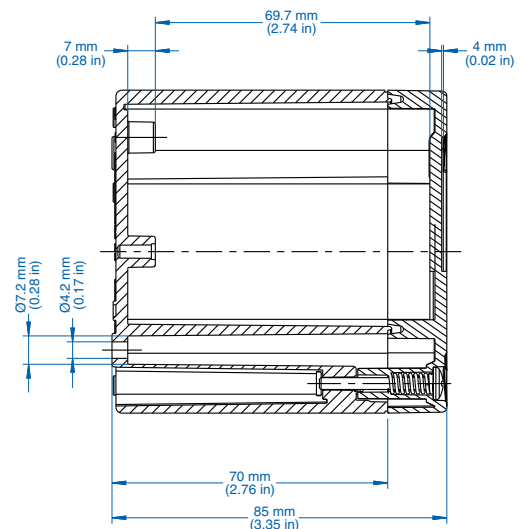
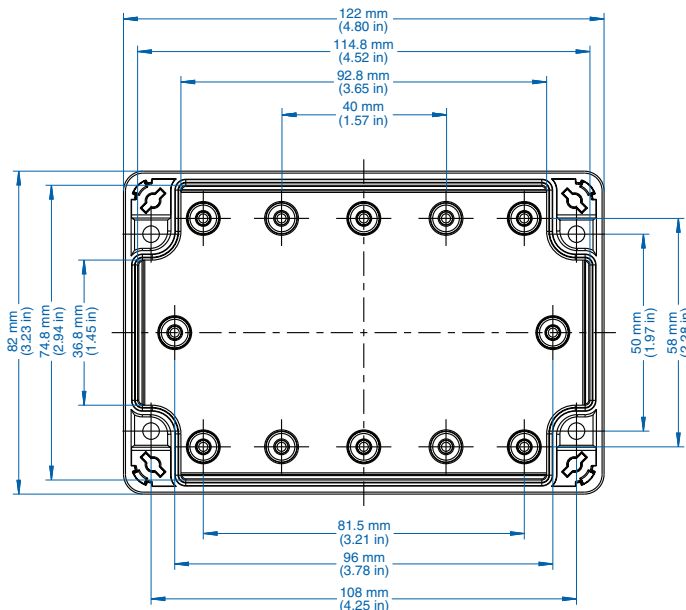
TG

| Ordering Information | Cat. No. w/ Standard Screws | Cat. No. w/ Quick Turn Screws | Type | Length | Dimensions mm (in) Width | Height | Std. Pk. |
|----------------------|-----------------------------|-------------------------------|----------------|-------------------|-----------------------------|------------------|----------|
| ABS | | | | | | | |
| Gray cover | 100-904-91 | 100-904-01 | TGABS1208-9-o | 122 mm (4.80 in.) | 82 mm (3.23 in.) | 85 mm (3.35 in.) | 1 |
| Transparent cover | 101-504-91 | 101-504-01 | TGABS1208-9-to | 122 mm (4.80 in.) | 82 mm (3.23 in.) | 85 mm (3.35 in.) | 1 |
| Polycarbonate | | | | | | | |
| Gray cover | 200-904-91 | 200-904-01 | TGPC1208-9-o | 122 mm (4.80 in.) | 82 mm (3.23 in.) | 85 mm (3.35 in.) | 1 |
| Transparent cover | 201-504-91 | 201-504-01 | TGPC1208-9-to | 122 mm (4.80 in.) | 82 mm (3.23 in.) | 85 mm (3.35 in.) | 1 |

Accessories

| Ordering Information | Cat. No. | Type | Std. Pk. |
|--------------------------|----------|------------|----------|
| Mounting Plate (plastic) | 186-004 | TGMPI-1208 | 1 |
| Mounting Plate (steel) | 187-004 | TGMPS-1208 | 1 |
| DIN Rail – TS35-106 | 198-107 | NS35-106/2 | 1 |
| DIN Rail - TS15-106 | 197-107 | TS15-106/2 | 1 |
| Mounting Tab Kit | 182-002 | TGABL | 1 |

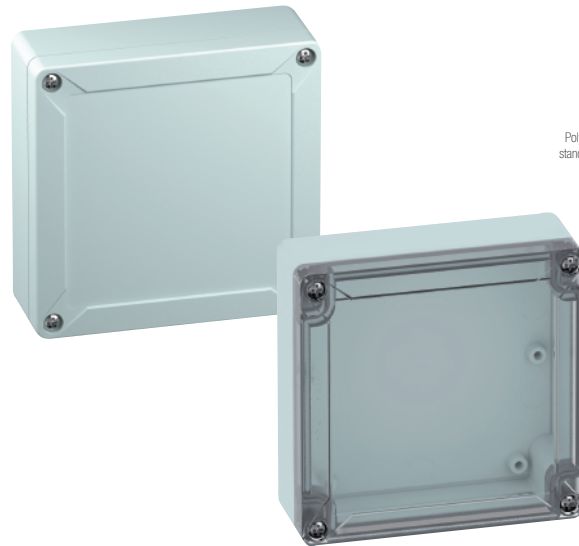
Please refer to pages 136-140 additional accessories and detailed information



TG1212-6 – ABS and Polycarbonate – 124 x 122 x 55 mm (4.88 x 4.80 x 2.17 in.)

Standard Features

- **Protection Level:** IP67 (NEMA 4X)
- **Technical:**
 - Smooth Sidewalls
 - Gray or Transparent Cover
 - Standard or Quick Turn Screws
 - 97 x 95 x 0.4 mm Recess in Cover
 - Integrated Cover Retainer
- **UL Recognized Enclosure Materials:** ABS or Polycarbonate
- **Transparent Cover Material:** Polycarbonate
- **Gasket Material:** Polyurethane
- **Color:** Light Gray
- **Material Temperature Range:**
 - ABS: -40°C to 80°C (-40°F to 176°F)
 - Polycarbonate: -40°C to 120°C (-40°F to 248°F)
- **Accessories:** See section below



E208470
Polycarbonate with
standard screws Only

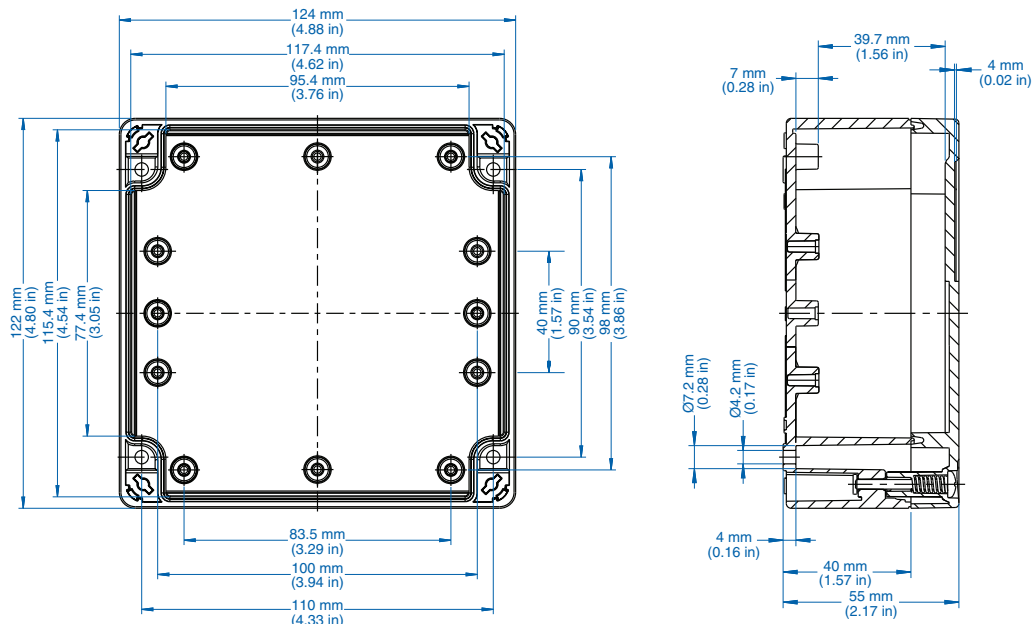
TG

| Ordering Information | Cat. No. w/ Standard Screws | Cat. No. w/ Quick Turn Screws | Type | Length | Dimensions mm (in) Width | Height | Std. Pk. |
|----------------------|-----------------------------|-------------------------------|----------------|-------------------|-----------------------------|------------------|----------|
| ABS | | | | | | | |
| Gray cover | 100-405-91 | 100-405-01 | TGABS1212-6-o | 124 mm (4.88 in.) | 122 mm (4.80 in.) | 55 mm (2.17 in.) | 1 |
| Transparent cover | 101-005-91 | 101-005-01 | TGABS1212-6-to | 124 mm (4.88 in.) | 122 mm (4.80 in.) | 55 mm (2.17 in.) | 1 |
| Polycarbonate | | | | | | | |
| Gray cover | 200-405-91 | 200-405-01 | TGPC1212-6-o | 124 mm (4.88 in.) | 122 mm (4.80 in.) | 55 mm (2.17 in.) | 1 |
| Transparent cover | 201-005-91 | 201-005-01 | TGPC1212-6-to | 124 mm (4.88 in.) | 122 mm (4.80 in.) | 55 mm (2.17 in.) | 1 |

Accessories

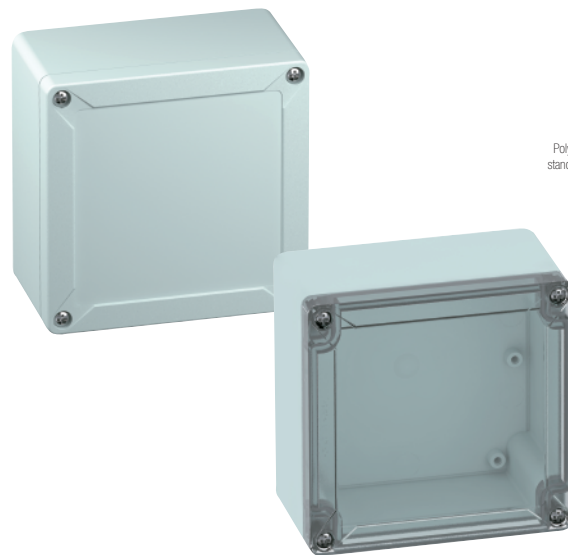
| Ordering Information | Cat. No. | Type | Std. Pk. |
|-----------------------------------|----------|------------|----------|
| Mounting Plate (plastic) | 186-005 | TGMPI-1212 | 1 |
| Mounting Plate (steel) | 187-005 | TGMPS-1212 | 1 |
| DIN Rail – TS35-110 | 198-110 | NS35-110 | 1 |
| DIN Rail - TS15-110 | 197-110 | TS15-110 | 1 |
| Internal Hinge Kit Set (longside) | 182-001 | TGISS | 1 |
| Mounting Tab Kit | 182-002 | TGABL | 1 |

Please refer to pages 136-140 additional accessories and detailed information



Standard Features

- **Protection Level:** IP67 (NEMA 4X)
- **Technical:**
 - Smooth Sidewalls
 - Gray or Transparent Cover
 - Standard or Quick Turn Screws
 - 97 x 95 x 0.4 mm Recess in Cover
 - Integrated Cover Retainer
- **UL Recognized Enclosure Materials:** ABS or Polycarbonate
- **Transparent Cover Material:** Polycarbonate
- **Gasket Material:** Polyurethane
- **Color:** Light Gray
- **Material Temperature Range:**
 - ABS: -40°C to 80°C (-40°F to 176°F)
 - Polycarbonate: -40°C to 120°C (-40°F to 248°F)
- **Accessories:** See section below



E208470
Polycarbonate with standard screws Only

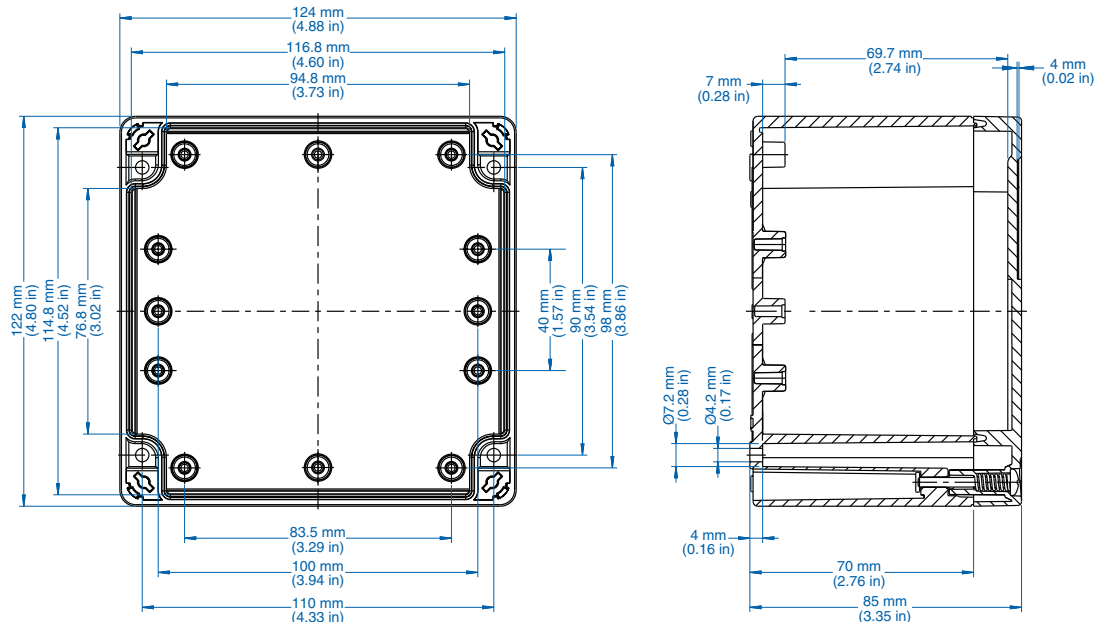
TG

| Ordering Information | Cat. No. w/ Standard Screws | Cat. No. w/ Quick Turn Screws | Type | Length | Dimensions mm (in) Width | Height | Std. Pk. |
|----------------------|-----------------------------|-------------------------------|----------------|-------------------|-----------------------------|------------------|----------|
| ABS | | | | | | | |
| Gray cover | 100-905-91 | 100-905-01 | TGABS1212-9-o | 124 mm (4.88 in.) | 122 mm (4.80 in.) | 85 mm (3.35 in.) | 1 |
| Transparent cover | 101-505-91 | 101-505-01 | TGABS1212-9-to | 124 mm (4.88 in.) | 122 mm (4.80 in.) | 85 mm (3.35 in.) | 1 |
| Polycarbonate | | | | | | | |
| Gray cover | 200-905-91 | 200-905-01 | TGPC1212-9-o | 124 mm (4.88 in.) | 122 mm (4.80 in.) | 85 mm (3.35 in.) | 1 |
| Transparent cover | 201-505-91 | 201-505-01 | TGPC1212-9-to | 124 mm (4.88 in.) | 122 mm (4.80 in.) | 85 mm (3.35 in.) | 1 |

Accessories

| Ordering Information | Cat. No. | Type | Std. Pk. |
|-----------------------------------|----------|------------|----------|
| Mounting Plate (plastic) | 186-005 | TGMPI-1212 | 1 |
| Mounting Plate (steel) | 187-005 | TGMPS-1212 | 1 |
| DIN Rail – TS35-110 | 198-110 | NS35-110 | 1 |
| DIN Rail - TS15-110 | 197-110 | TS15-110 | 1 |
| Internal Hinge Kit Set (longside) | 182-001 | TGISS | 1 |
| Mounting Tab Kit | 182-002 | TGABL | 1 |

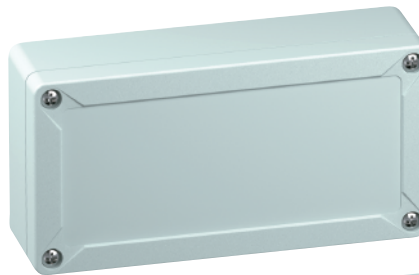
Please refer to pages 136-140 additional accessories and detailed information



TG1608-6 – ABS and Polycarbonate – 162 x 82 x 55 mm (6.38 x 3.23 x 2.17 in.)

Standard Features

- **Protection Level:** IP67 (NEMA 4X)
- **Technical:**
 - Smooth Sidewalls
 - Gray or Transparent Cover
 - Standard or Quick Turn Screws
 - 138 x 58 x 0.4 mm Recess in Cover
 - Integrated Cover Retainer
- **UL Recognized Enclosure Materials:** ABS or Polycarbonate
- **Transparent Cover Material:** Polycarbonate
- **Gasket Material:** Polyurethane
- **Color:** Light Gray
- **Material Temperature Range:**
 - ABS: -40°C to 80°C (-40°F to 176°F)
 - Polycarbonate: -40°C to 120°C (-40°F to 248°F)
- **Accessories:** See section below



E208470
Polycarbonate with standard screws Only



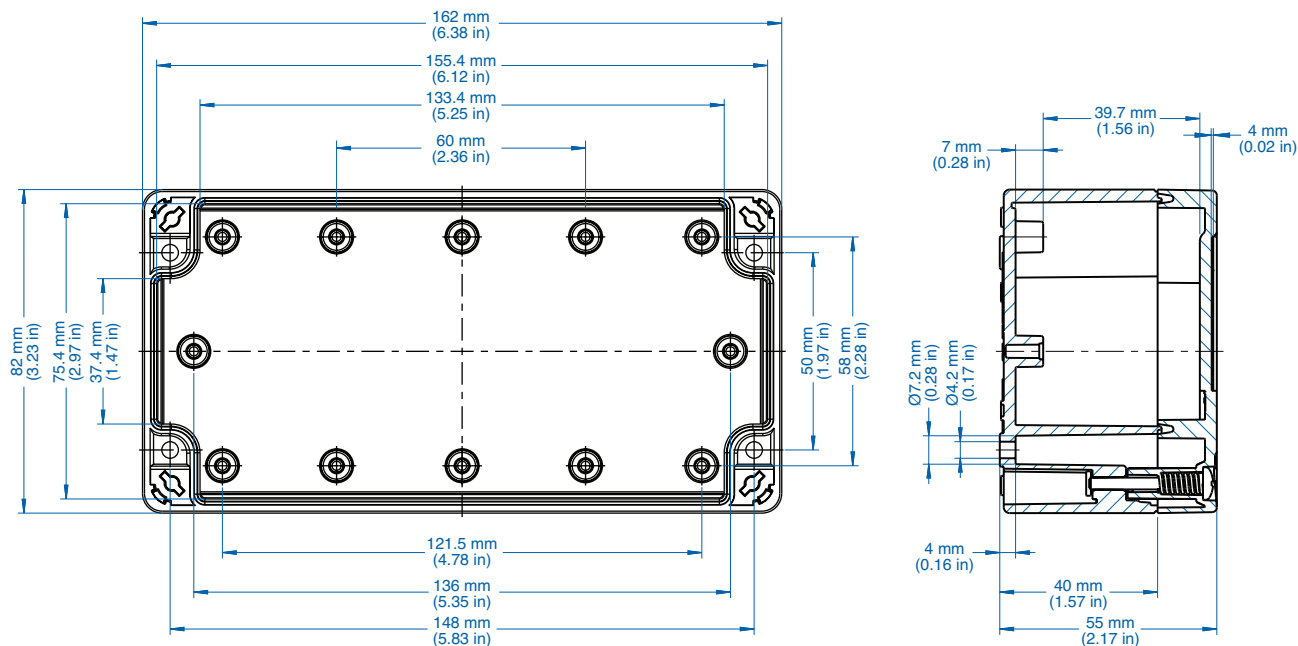
TG

| Ordering Information | Cat. No. w/ Standard Screws | Cat. No. w/ Quick Turn Screws | Type | Length | Dimensions mm (in) Width | Height | Std. Pk. |
|----------------------|-----------------------------|-------------------------------|----------------|-------------------|-----------------------------|------------------|----------|
| ABS | | | | | | | |
| Gray cover | 100-406-91 | 100-406-01 | TGABS1608-6-o | 162 mm (6.38 in.) | 82 mm (3.23 in.) | 55 mm (2.17 in.) | 1 |
| Transparent cover | 101-006-91 | 101-006-01 | TGABS1608-6-to | 162 mm (6.38 in.) | 82 mm (3.23 in.) | 55 mm (2.17 in.) | 1 |
| Polycarbonate | | | | | | | |
| Gray cover | 200-406-91 | 200-406-01 | TGPC1608-6-o | 162 mm (6.38 in.) | 82 mm (3.23 in.) | 55 mm (2.17 in.) | 1 |
| Transparent cover | 201-006-91 | 201-006-01 | TGPC1608-6-to | 162 mm (6.38 in.) | 82 mm (3.23 in.) | 55 mm (2.17 in.) | 1 |

Accessories

| Ordering Information | Cat. No. | Type | Std. Pk. |
|--------------------------|----------|------------|----------|
| Mounting Plate (plastic) | 186-006 | TGMPI-1608 | 1 |
| Mounting Plate (steel) | 187-006 | TGMPS-1608 | 1 |
| DIN Rail – TS35-146 | 198-146 | NS35-146 | 1 |
| DIN Rail - TS15-146 | 197-146 | TS15-146 | 1 |
| Mounting Tab Kit | 182-002 | TGABL | 1 |

Please refer to pages 136-140 additional accessories and detailed information



Standard Features

- **Protection Level:** IP67 (NEMA 4X)
- **Technical:**
 - Smooth Sidewalls
 - Gray or Transparent Cover
 - Standard or Quick Turn Screws
 - 138 x 58 x 0.4 mm Recess in Cover
 - Integrated Cover Retainer
- **UL Recognized Enclosure Materials:** ABS or Polycarbonate
- **Transparent Cover Material:** Polycarbonate
- **Gasket Material:** Polyurethane
- **Color:** Light Gray
- **Material Temperature Range:**
 - ABS: -40°C to 80°C (-40°F to 176°F)
 - Polycarbonate: -40°C to 120°C (-40°F to 248°F)
- **Accessories:** See section below



E208470
Polycarbonate with standard screws Only



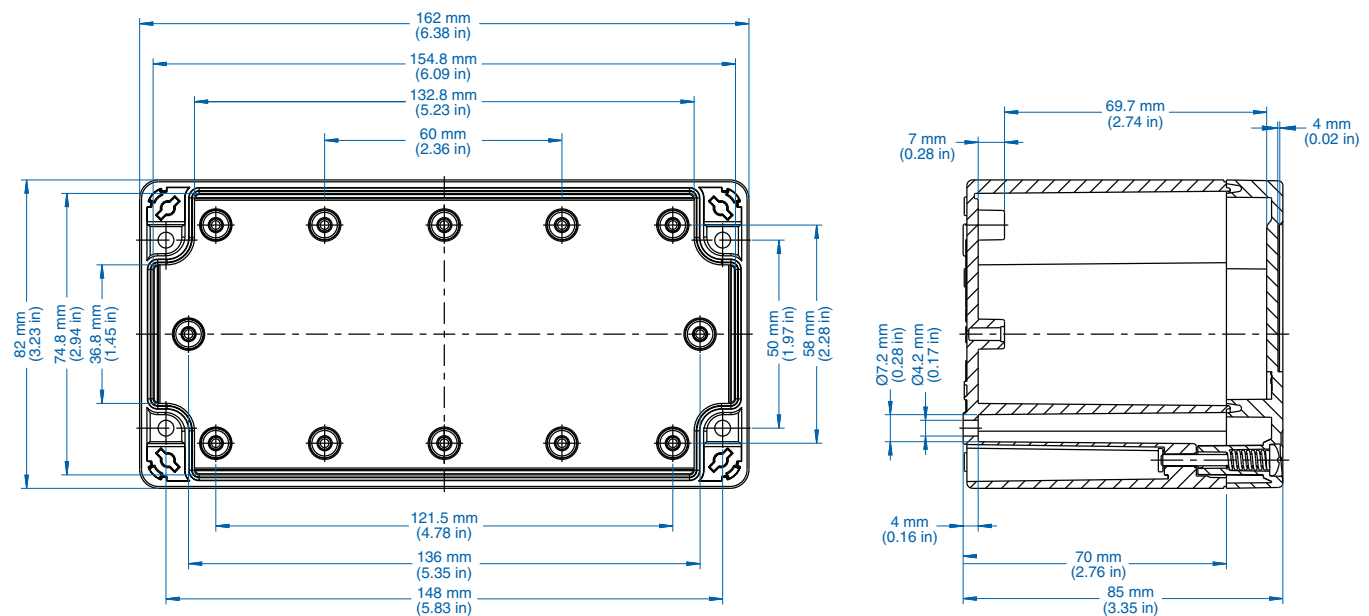
TG

| Ordering Information | Cat. No. w/ Standard Screws | Cat. No. w/ Quick Turn Screws | Type | Length | Dimensions mm (in) Width | Height | Std. Pk. |
|----------------------|-----------------------------|-------------------------------|----------------|-------------------|-----------------------------|------------------|----------|
| ABS | | | | | | | |
| Gray cover | 100-906-91 | 100-906-01 | TGABS1608-9-o | 162 mm (6.38 in.) | 82 mm (3.23 in.) | 85 mm (3.35 in.) | 1 |
| Transparent cover | 101-506-91 | 101-506-01 | TGABS1608-9-to | 162 mm (6.38 in.) | 82 mm (3.23 in.) | 85 mm (3.35 in.) | 1 |
| Polycarbonate | | | | | | | |
| Gray cover | 200-906-91 | 200-906-01 | TGPC1608-9-o | 162 mm (6.38 in.) | 82 mm (3.23 in.) | 85 mm (3.35 in.) | 1 |
| Transparent cover | 201-506-91 | 201-506-01 | TGPC1608-9-to | 162 mm (6.38 in.) | 82 mm (3.23 in.) | 85 mm (3.35 in.) | 1 |

Accessories

| Ordering Information | Cat. No. | Type | Std. Pk. |
|--------------------------|----------|------------|----------|
| Mounting Plate (plastic) | 186-006 | TGMPI-1608 | 1 |
| Mounting Plate (steel) | 187-006 | TGMPS-1608 | 1 |
| DIN Rail – TS35-146 | 198-146 | NS35-146 | 1 |
| DIN Rail - TS15-146 | 197-146 | TS15-146 | 1 |
| Mounting Tab Kit | 182-002 | TGABL | 1 |

Please refer to pages 136-140 additional accessories and detailed information



TG1612-9 – ABS and Polycarbonate – 162 x 122 x 90 mm (6.38 x 4.80 x 3.54 in.)

Standard Features

- **Protection Level:** IP67 (NEMA 4X)
- **Technical:**
 - Smooth Sidewalls
 - Gray or Transparent Cover
 - Standard or Quick Turn Screws
 - 135 x 95 x 0.4 mm Recess in Cover
 - Integrated Cover Retainer
- **UL Recognized Enclosure Materials:** ABS or Polycarbonate
- **Transparent Cover Material:** Polycarbonate
- **Gasket Material:** Polyurethane
- **Color:** Light Gray
- **Material Temperature Range:**
 - ABS
-40°C to 80°C (-40°F to 176°F)
 - Polycarbonate
-40°C to 120°C (-40°F to 248°F)
- **Accessories:** See section below



E254144
Polycarbonate with
standard screws Only

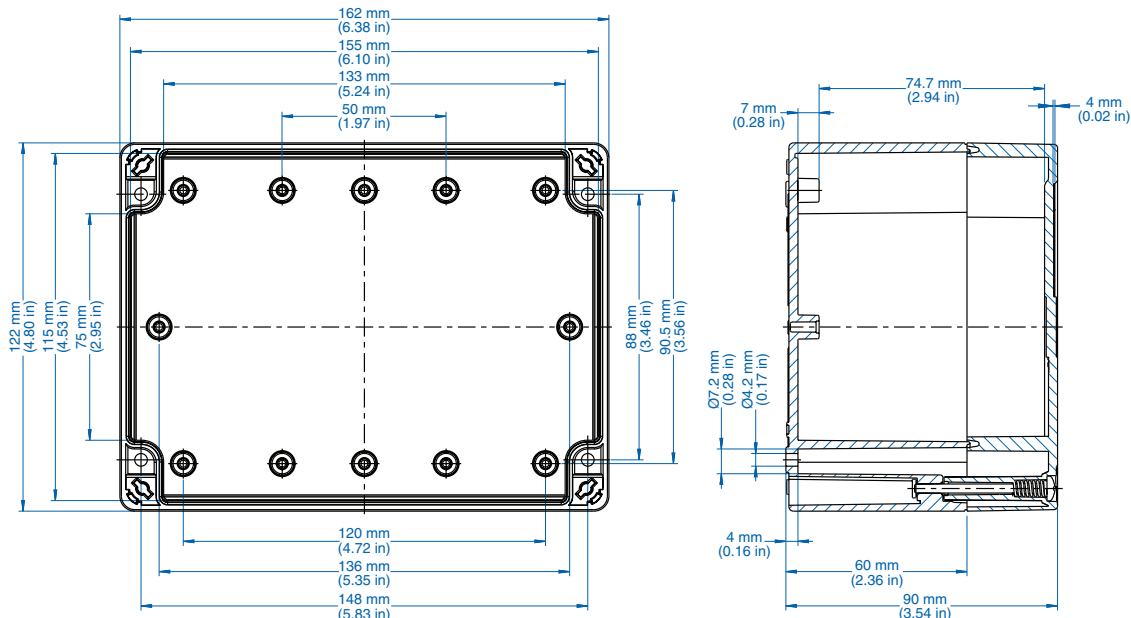
TG

| Ordering Information | Cat. No. w/ Standard Screws | Cat. No. w/ Quick Turn Screws | Type | Length | Dimensions mm (in) Width | Height | Std. Pk. |
|----------------------|-----------------------------|-------------------------------|----------------|-------------------|-----------------------------|------------------|----------|
| ABS | | | | | | | |
| Gray cover | 100-407-91 | 100-407-01 | TGABS1612-6-o | 162 mm (6.38 in.) | 122 mm (4.80 in.) | 90 mm (3.54 in.) | 1 |
| Transparent cover | 101-007-91 | 101-007-01 | TGABS1612-6-to | 162 mm (6.38 in.) | 122 mm (4.80 in.) | 90 mm (3.54 in.) | 1 |
| Polycarbonate | | | | | | | |
| Gray cover | 200-407-91 | 200-407-01 | TGPC1612-6-o | 162 mm (6.38 in.) | 122 mm (4.80 in.) | 90 mm (3.54 in.) | 1 |
| Transparent cover | 201-007-91 | 201-007-01 | TGPC1612-6-to | 162 mm (6.38 in.) | 122 mm (4.80 in.) | 90 mm (3.54 in.) | 1 |

Accessories

| Ordering Information | Cat. No. | Type | Std. Pk. |
|-----------------------------------|----------|------------|----------|
| Mounting Plate (plastic) | 186-007 | TGMPI-1612 | 1 |
| Mounting Plate (steel) | 187-007 | TGMPS-1612 | 1 |
| DIN Rail – TS35-146 | 198-146 | NS35-146 | 1 |
| DIN Rail - TS15-146 | 197-146 | TS15-146 | 1 |
| Internal Hinge Kit Set (longside) | 182-001 | TGISS | 1 |
| Mounting Tab Kit | 182-002 | TGABL | 1 |

Please refer to pages 136-140 additional accessories and detailed information



Standard Features

- **Protection Level:** IP67 (NEMA 4X)
- **Technical:**
 - Smooth Sidewalls
 - Gray or Transparent Cover
 - Standard or Quick Turn Screws
 - 175 x 95 x 0.4 mm Recess in Cover
 - Integrated Cover Retainer
- **UL Recognized Enclosure Materials:** ABS or Polycarbonate
- **Transparent Cover Material:** Polycarbonate
- **Gasket Material:** Polyurethane
- **Color:** Light Gray
- **Material Temperature Range:**
 - ABS: -40°C to 80°C (-40°F to 176°F)
 - Polycarbonate: -40°C to 120°C (-40°F to 248°F)
- **Accessories:** See section below



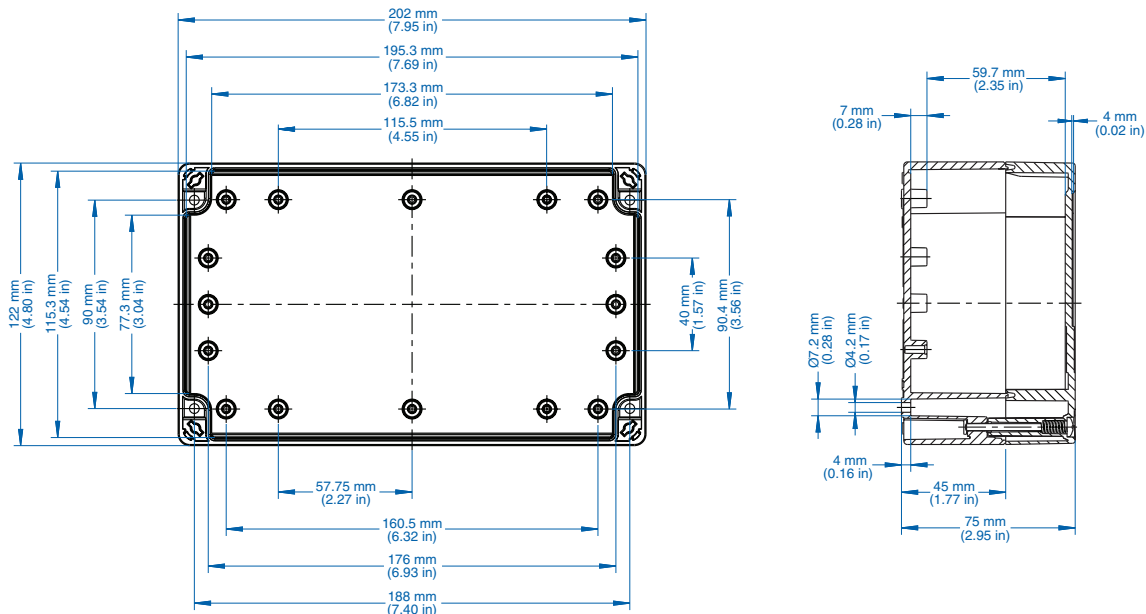
TG

| Ordering Information | Cat. No. w/ Standard Screws | Cat. No. w/ Quick Turn Screws | Type | Length | Dimensions mm (in) Width | Height | Std. Pk. |
|----------------------|-----------------------------|-------------------------------|----------------|-------------------|-----------------------------|------------------|----------|
| ABS | | | | | | | |
| Gray cover | 100-408-91 | 100-408-01 | TGABS2012-8-o | 202 mm (7.95 in.) | 122 mm (4.80 in.) | 75 mm (2.95 in.) | 1 |
| Transparent cover | 101-008-91 | 101-008-01 | TGABS2012-8-to | 202 mm (7.95 in.) | 122 mm (4.80 in.) | 75 mm (2.95 in.) | 1 |
| Polycarbonate | | | | | | | |
| Gray cover | 200-408-91 | 200-408-01 | TGPC2012-8-o | 202 mm (7.95 in.) | 122 mm (4.80 in.) | 75 mm (2.95 in.) | 1 |
| Transparent cover | 201-008-91 | 201-008-01 | TGPC2012-8-to | 202 mm (7.95 in.) | 122 mm (4.80 in.) | 75 mm (2.95 in.) | 1 |

Accessories

| Ordering Information | Cat. No. | Type | Std. Pk. |
|-----------------------------------|----------|------------|----------|
| Mounting Plate (plastic) | 186-008 | TGMPI-2012 | 1 |
| Mounting Plate (steel) | 187-008 | TGMPS-2012 | 1 |
| DIN Rail – TS35-186 | 198-186 | NS35-186 | 1 |
| DIN Rail - TS15-186 | 197-186 | TS15-186 | 1 |
| Internal Hinge Kit Set (longside) | 182-001 | TGISS | 1 |
| Mounting Tab Kit | 182-002 | TGABL | 1 |

Please refer to pages 136-140 additional accessories and detailed information



TG2012-9 – ABS and Polycarbonate – 202 x 122 x 90 mm (7.95 x 4.80 x 3.54 in.)

Standard Features

- **Protection Level:** IP67 (NEMA 4X)
- **Technical:**
 - Smooth Sidewalls
 - Gray or Transparent Cover
 - Standard or Quick Turn Screws
 - 175 x 95 x 0.4 mm Recess in Cover
 - Integrated Cover Retainer
- **UL Recognized Enclosure Materials:** ABS or Polycarbonate
- **Transparent Cover Material:** Polycarbonate
- **Gasket Material:** Polyurethane
- **Color:** Light Gray
- **Material**
- **Temperature Range:**
 - ABS: -40°C to 80°C (-40°F to 176°F)
 - Polycarbonate: -40°C to 120°C (-40°F to 248°F)
- **Accessories:** See section below



E254144
Polycarbonate with
standard screws Only

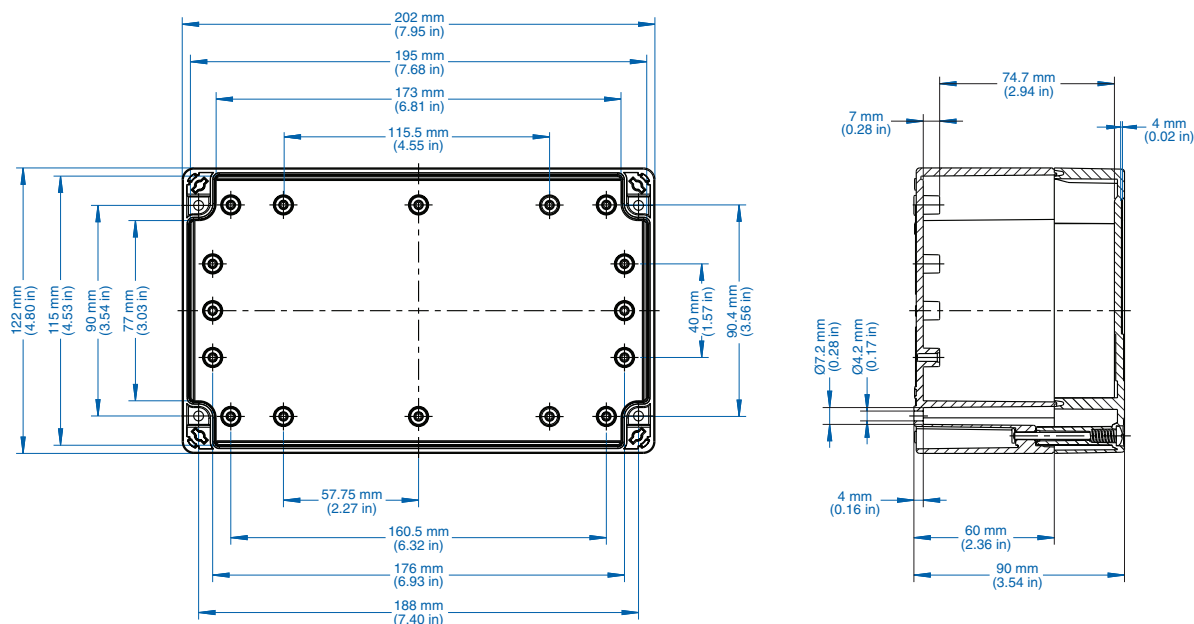
TG

| Ordering Information | Cat. No. w/ Standard Screws | Cat. No. w/ Quick Turn Screws | Type | Length | Dimensions mm (in) Width | Height | Std. Pk. |
|----------------------|-----------------------------|-------------------------------|----------------|-------------------|-----------------------------|------------------|----------|
| ABS | | | | | | | |
| Gray cover | 100-908-91 | 100-908-01 | TGABS2012-9-o | 202 mm (7.95 in.) | 122 mm (4.80 in.) | 90 mm (3.54 in.) | 1 |
| Transparent cover | 101-508-91 | 101-508-01 | TGABS2012-9-to | 202 mm (7.95 in.) | 122 mm (4.80 in.) | 90 mm (3.54 in.) | 1 |
| Polycarbonate | | | | | | | |
| Gray cover | 200-908-91 | 200-908-01 | TGPC2012-9-o | 202 mm (7.95 in.) | 122 mm (4.80 in.) | 90 mm (3.54 in.) | 1 |
| Transparent cover | 201-508-91 | 201-508-01 | TGPC2012-9-to | 202 mm (7.95 in.) | 122 mm (4.80 in.) | 90 mm (3.54 in.) | 1 |

Accessories

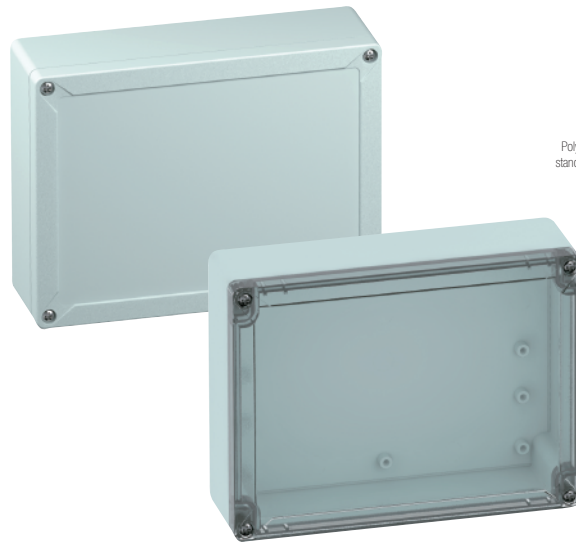
| Ordering Information | Cat. No. | Type | Std. Pk. |
|-----------------------------------|----------|------------|----------|
| Mounting Plate (plastic) | 186-008 | TGMPI-2012 | 1 |
| Mounting Plate (steel) | 187-008 | TGMPS-2012 | 1 |
| DIN Rail – TS35-186 | 198-186 | NS35-186 | 1 |
| DIN Rail - TS15-186 | 197-186 | TS15-186 | 1 |
| Internal Hinge Kit Set (longside) | 182-001 | TGISS | 1 |
| Mounting Tab Kit | 182-002 | TGABL | 1 |

Please refer to pages 136-140 additional accessories and detailed information



Standard Features

- **Protection Level:** IP67 (NEMA 4X)
- **Technical:**
 - Smooth Sidewalls
 - Gray or Transparent Cover
 - Standard or Quick Turn Screws
 - 175 x 125 x 0.4 mm Recess in Cover
 - Integrated Cover Retainer
- **UL Recognized Enclosure Materials:** ABS or Polycarbonate
- **Transparent Cover Material:** Polycarbonate
- **Gasket Material:** Polyurethane
- **Color:** Light Gray
- **Material**
- **Temperature Range:**
 - ABS
 - 40°C to 80°C (-40°F to 176°F)
 - Polycarbonate
 - 40°C to 120°C (-40°F to 248°F)
- **Accessories:** See section below



E254144
Polycarbonate with standard screws Only

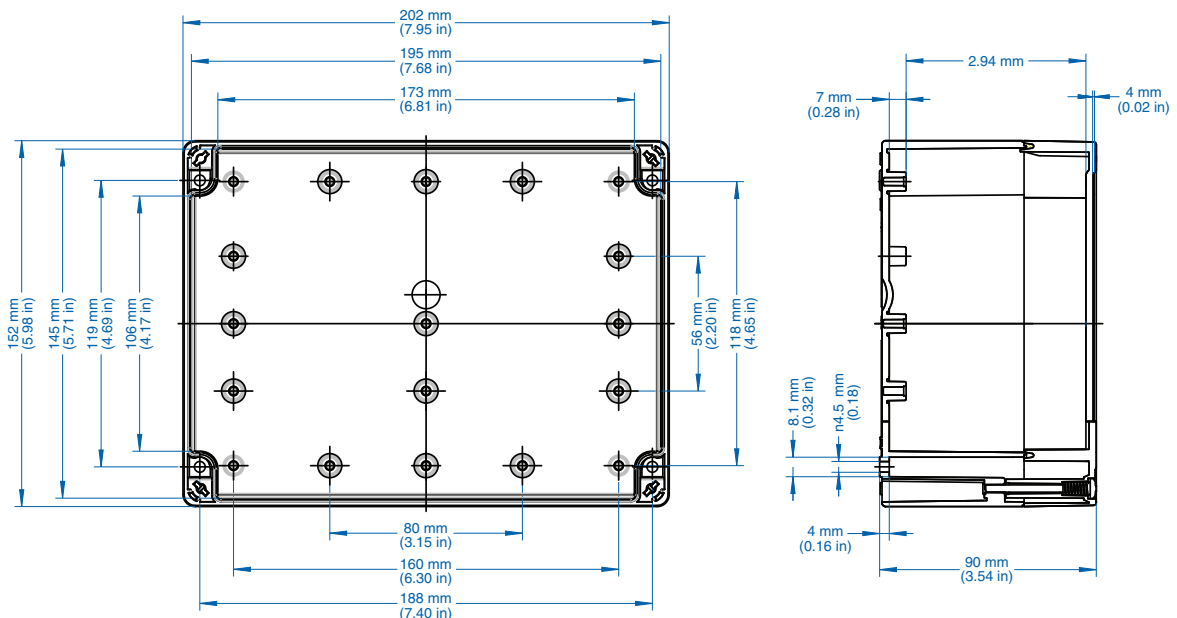
TG

| Ordering Information | Cat. No. w/ Standard Screws | Cat. No. w/ Quick Turn Screws | Type | Length | Dimensions mm (in) Width | Height | Std. Pk. |
|----------------------|-----------------------------|-------------------------------|----------------|-------------------|-----------------------------|------------------|----------|
| ABS | | | | | | | |
| Gray cover | 100-409-91 | 100-409-01 | TGABS2015-9-o | 202 mm (7.95 in.) | 152 mm (5.98 in.) | 90 mm (3.54 in.) | 1 |
| Transparent cover | 101-009-91 | 101-009-01 | TGABS2015-9-to | 202 mm (7.95 in.) | 152 mm (5.98 in.) | 90 mm (3.54 in.) | 1 |
| Polycarbonate | | | | | | | |
| Gray cover | 200-409-91 | 200-409-01 | TGPC2015-9-o | 202 mm (7.95 in.) | 152 mm (5.98 in.) | 90 mm (3.54 in.) | 1 |
| Transparent cover | 201-009-91 | 201-009-01 | TGPC2015-9-to | 202 mm (7.95 in.) | 152 mm (5.98 in.) | 90 mm (3.54 in.) | 1 |

Accessories

| Ordering Information | Cat. No. | Type | Std. Pk. |
|--------------------------|----------|------------|----------|
| Mounting Plate (plastic) | 186-009 | TGMPI-2015 | 1 |
| Mounting Plate (steel) | 187-009 | TGMPS-2015 | 1 |
| DIN Rail – TS35-170 | 198-170 | NS35-170 | 1 |
| DIN Rail - TS15-170 | 197-170 | TS15-170 | 1 |
| Internal Hinge Kit Set | 182-001 | TGISS | 1 |
| Mounting Tab Kit | 182-002 | TGABL | 1 |

Please refer to pages 136-140 additional accessories and detailed information



TG2516-9 – ABS and Polycarbonate – 252 x 162 x 90 mm (9.92 x 6.38 x 3.54 in.)

Standard Features

- **Protection Level:** IP67 (NEMA 4X)
- **Technical:**
 - Smooth Sidewalls
 - Gray or Transparent Cover
 - Standard or Quick Turn Screws
 - 225 x 135 x 0.4 mm Recess in Cover
 - Integrated Cover Retainer
- **UL Recognized Enclosure Materials:** ABS or Polycarbonate
- **Transparent Cover Material:** Polycarbonate
- **Gasket Material:** Polyurethane
- **Color:** Light Gray
- **Material Temperature Range:**
 - ABS: -40°C to 80°C (-40°F to 176°F)
 - Polycarbonate: -40°C to 120°C (-40°F to 248°F)
- **Accessories:** See section below



E254144
Polycarbonate with
standard screws Only

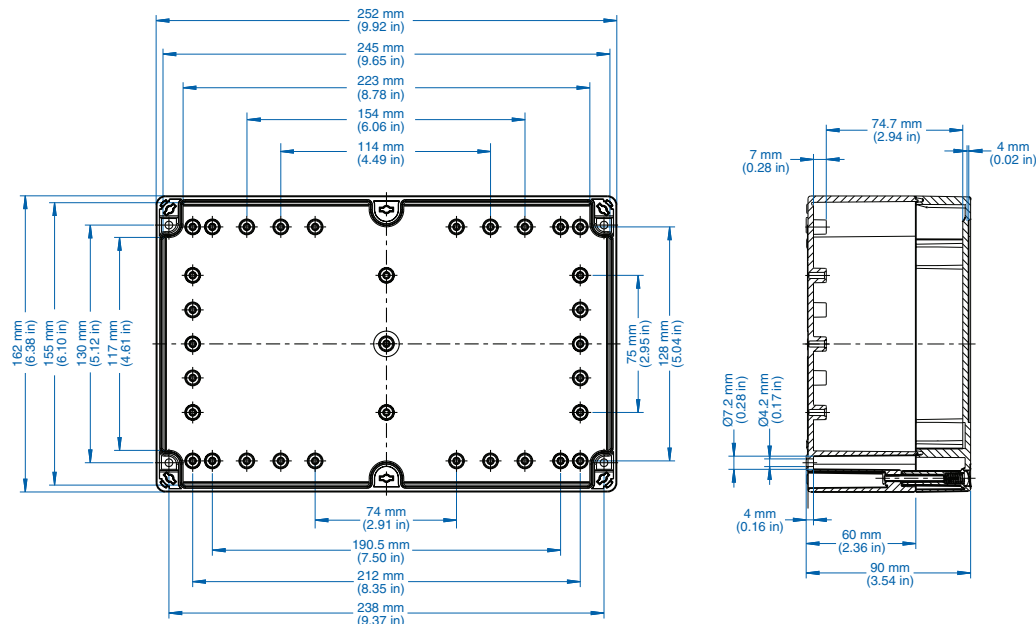
TG

| Ordering Information | Cat. No. w/ Standard Screws | Cat. No. w/ Quick Turn Screws | Type | Length | Dimensions mm (in) Width | Height | Std. Pk. |
|----------------------|-----------------------------|-------------------------------|----------------|-------------------|-----------------------------|------------------|----------|
| ABS | | | | | | | |
| Gray cover | 100-412-91 | 100-412-01 | TGABS2516-9-o | 252 mm (9.92 in.) | 162 mm (6.38 in.) | 90 mm (3.54 in.) | 1 |
| Transparent cover | 101-012-91 | 101-012-01 | TGABS2516-9-to | 252 mm (9.92 in.) | 162 mm (6.38 in.) | 90 mm (3.54 in.) | 1 |
| Polycarbonate | | | | | | | |
| Gray cover | 200-412-91 | 200-412-01 | TGPC2516-9-o | 252 mm (9.92 in.) | 162 mm (6.38 in.) | 90 mm (3.54 in.) | 1 |
| Transparent cover | 201-012-91 | 201-012-01 | TGPC2516-9-to | 252 mm (9.92 in.) | 162 mm (6.38 in.) | 90 mm (3.54 in.) | 1 |

Accessories

| Ordering Information | Cat. No. | Type | Std. Pk. |
|--------------------------|----------|------------|----------|
| Mounting Plate (plastic) | 186-012 | TGMPI-2516 | 1 |
| Mounting Plate (steel) | 187-012 | TGMPS-2516 | 1 |
| DIN Rail – TS35-222 | 198-222 | NS35-222 | 1 |
| DIN Rail - TS15-222 | 197-222 | TS15-222 | 1 |
| Internal Hinge Kit Set | 182-001 | TGISS | 1 |
| Mounting Tab Kit | 182-002 | TGABL | 1 |

Please refer to pages 136-140 additional accessories and detailed information



Standard Features

- **Protection Level:** IP67 (NEMA 4X)
- **Technical:**
 - Smooth Sidewalls
 - Gray or Transparent Cover
 - Standard or Quick Turn Screws
 - 225 x 135 x 0.4 mm Recess in Cover
 - Integrated Cover Retainer
- **UL Recognized Enclosure Materials:** ABS or Polycarbonate
- **Transparent Cover Material:** Polycarbonate
- **Gasket Material:** Polyurethane
- **Color:** Light Gray
- **Material Temperature Range:**
 - ABS: -40°C to 80°C (-40°F to 176°F)
 - Polycarbonate: -40°C to 120°C (-40°F to 248°F)
- **Accessories:** See section below



E254144
Polycarbonate with standard screws Only

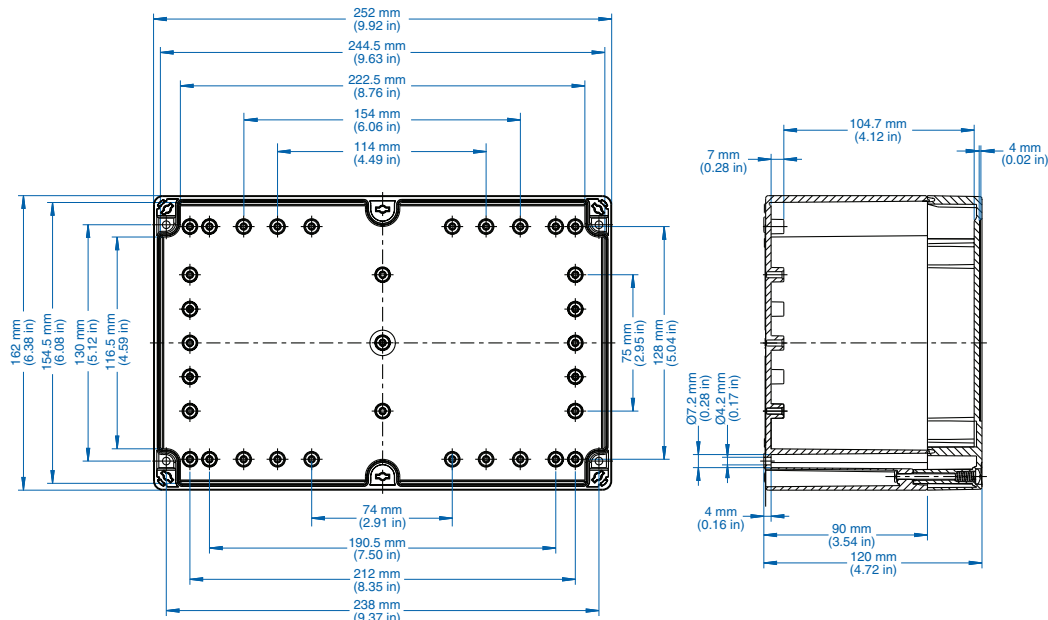
TG

| Ordering Information | Cat. No. w/ Standard Screws | Cat. No. w/ Quick Turn Screws | Type | Length | Dimensions mm (in) Width | Height | Std. Pk. |
|----------------------|-----------------------------|-------------------------------|-----------------|-------------------|-----------------------------|-------------------|----------|
| ABS | | | | | | | |
| Gray cover | 100-912-91 | 100-912-01 | TGABS2516-12-o | 252 mm (9.92 in.) | 162 mm (6.38 in.) | 120 mm (4.72 in.) | 1 |
| Transparent cover | 101-512-91 | 101-512-01 | TGABS2516-12-to | 252 mm (9.92 in.) | 162 mm (6.38 in.) | 120 mm (4.72 in.) | 1 |
| Polycarbonate | | | | | | | |
| Gray cover | 200-912-91 | 200-912-01 | TGPC2516-12-o | 252 mm (9.92 in.) | 162 mm (6.38 in.) | 120 mm (4.72 in.) | 1 |
| Transparent cover | 201-512-91 | 201-512-01 | TGPC2516-12-to | 252 mm (9.92 in.) | 162 mm (6.38 in.) | 120 mm (4.72 in.) | 1 |

Accessories

| Ordering Information | Cat. No. | Type | Std. Pk. |
|--------------------------|----------|------------|----------|
| Mounting Plate (plastic) | 186-012 | TGMPI-2516 | 1 |
| Mounting Plate (steel) | 187-012 | TGMPS-2516 | 1 |
| DIN Rail – TS35-222 | 198-222 | NS35-222 | 1 |
| DIN Rail - TS15-222 | 197-222 | TS15-222 | 1 |
| Internal Hinge Kit Set | 182-001 | TGISS | 1 |
| Mounting Tab Kit | 182-002 | TGABL | 1 |

Please refer to pages 136-140 additional accessories and detailed information



TG3023-9 – ABS and Polycarbonate – 302 x 232 x 90 mm (11.89 x 9.13 x 3.54 in.)

Standard Features

- **Protection Level:** IP67 (NEMA 4X)
- **Technical:**
 - Smooth Sidewalls
 - Gray or Transparent Cover
 - Standard or Quick Turn Screws
 - 275 x 205 x 0.4 mm Recess in Cover
 - Integrated Cover Retainer
- **UL Recognized Enclosure Materials:** ABS or Polycarbonate
- **Transparent Cover Material:** Polycarbonate
- **Gasket Material:** Polyurethane
- **Color:** Light Gray
- **Material Temperature Range:**
 - ABS
 - 40°C to 80°C (-40°F to 176°F)
 - Polycarbonate
 - 40°C to 120°C (-40°F to 248°F)
- **Accessories:** See section below



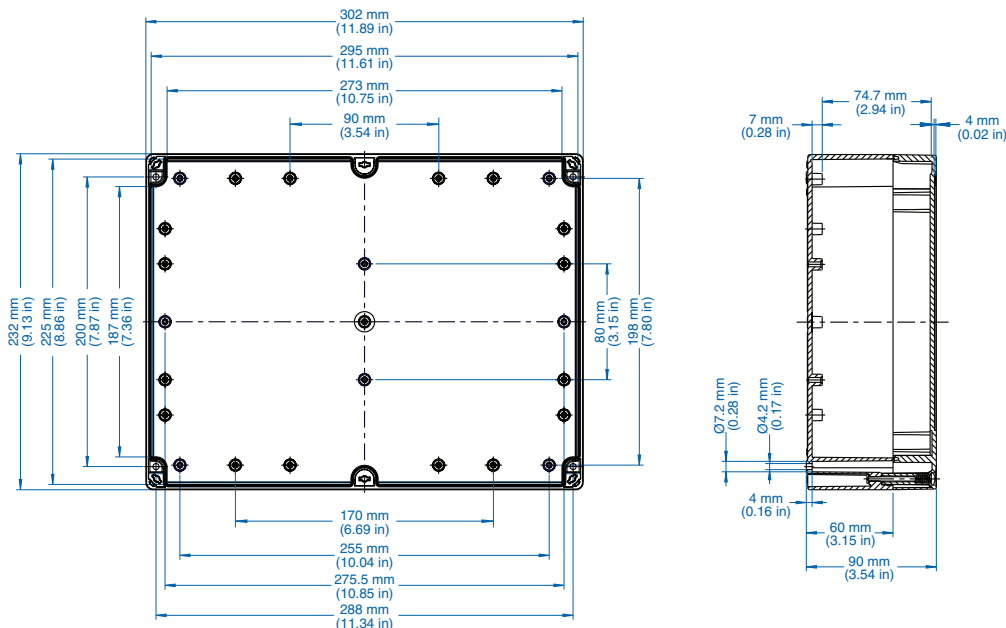
TG

| Ordering Information | Cat. No. w/ Standard Screws | Cat. No. w/ Quick Turn Screws | Type | Length | Dimensions mm (in) Width | Height | Std. Pk. |
|----------------------|-----------------------------|-------------------------------|----------------|--------------------|-----------------------------|------------------|----------|
| ABS | | | | | | | |
| Gray cover | 100-413-91 | 100-413-01 | TGABS3023-9-o | 302 mm (11.89 in.) | 232 mm (9.13 in.) | 90 mm (3.54 in.) | 1 |
| Transparent cover | 101-013-91 | 101-013-01 | TGABS3023-9-to | 302 mm (11.89 in.) | 232 mm (9.13 in.) | 90 mm (3.54 in.) | 1 |
| Polycarbonate | | | | | | | |
| Gray cover | 200-413-91 | 200-413-01 | TGPC3023-9-o | 302 mm (11.89 in.) | 232 mm (9.13 in.) | 90 mm (3.54 in.) | 1 |
| Transparent cover | 201-013-91 | 201-013-01 | TGPC3023-9-to | 302 mm (11.89 in.) | 232 mm (9.13 in.) | 90 mm (3.54 in.) | 1 |

Accessories

| Ordering Information | Cat. No. | Type | Std. Pk. |
|--------------------------|----------|------------|----------|
| Mounting Plate (plastic) | 186-013 | TGMPI-3023 | 1 |
| Mounting Plate (steel) | 187-013 | TGMPS-3023 | 1 |
| DIN Rail – TS35-285 | 198-285 | NS35-285 | 1 |
| DIN Rail - TS15-285 | 197-285 | TS15-285 | 1 |
| Internal Hinge Kit Set | 182-001 | TGISS | 1 |
| Mounting Tab Kit | 182-002 | TGABL | 1 |

Please refer to pages 136-140 additional accessories and detailed information



Standard Features

- **Protection Level:** IP67 (NEMA 4X)
- **Technical:**
 - Smooth Sidewalls
 - Gray or Transparent Cover
 - Standard or Quick Turn Screws
 - 275 x 205 x 0.4 mm Recess in Cover
 - Integrated Cover Retainer
- **UL Recognized Enclosure Materials:** ABS or Polycarbonate
- **Transparent Cover Material:** Polycarbonate
- **Gasket Material:** Polyurethane
- **Color:** Light Gray
- **Material Temperature Range:**
 - ABS: -40°C to 80°C (-40°F to 176°F)
 - Polycarbonate: -40°C to 120°C (-40°F to 248°F)
- **Accessories:** See section below



TG

| Ordering Information | Cat. No. w/ Standard Screws | Cat. No. w/ Quick Turn Screws | Type | Length | Dimensions mm (in) Width | Height | Std. Pk. |
|----------------------|-----------------------------|-------------------------------|-----------------|--------------------|--------------------------|-------------------|----------|
| ABS | | | | | | | |
| Gray cover | 100-913-91 | 100-913-01 | TGABS3023-11-o | 302 mm (11.89 in.) | 232 mm (9.13 in.) | 110 mm (4.33 in.) | 1 |
| Transparent cover | 101-513-91 | 101-513-01 | TGABS3023-11-to | 302 mm (11.89 in.) | 232 mm (9.13 in.) | 110 mm (4.33 in.) | 1 |
| Polycarbonate | | | | | | | |
| Gray cover | 200-913-91 | 200-913-01 | TGPC3023-11-o | 302 mm (11.89 in.) | 232 mm (9.13 in.) | 110 mm (4.33 in.) | 1 |
| Transparent cover | 201-513-91 | 201-513-01 | TGPC3023-11-to | 302 mm (11.89 in.) | 232 mm (9.13 in.) | 110 mm (4.33 in.) | 1 |

Accessories

| Ordering Information | Cat. No. | Type | Std. Pk. |
|--------------------------|----------|------------|----------|
| Mounting Plate (plastic) | 186-013 | TGMPI-3023 | 1 |
| Mounting Plate (steel) | 187-013 | TGMPS-3023 | 1 |
| DIN Rail – TS35-285 | 198-285 | NS35-285 | 1 |
| DIN Rail - TS15-285 | 197-285 | TS15-285 | 1 |
| Internal Hinge Kit Set | 182-001 | TGISS | 1 |
| Mounting Tab Kit | 182-002 | TGABL | 1 |

Please refer to pages 136-140 additional accessories and detailed information

