



- Width 6,2 mm
- Interface relay PI6-1T - with triac output
- 35 mm rail mount acc. to PN-EN 60715
- May be linked with interconnection strip type ZG20
- Equipped in LED green
- Recognitions, certifications, directives: : RoHS,  

## Output circuit - Triac

Number and type of outputs		1 NO
Rated / max. switching voltage	AC	400 V / 440 V
Min. switching voltage	AC	20 V
Rated load	AC 1	1,2 A / 400 V AC
Min. switching current		10 mA
Max. non-repeat surge current		30 A t=20 ms
Rated current		1,2 A
I <sup>2</sup> t for fusing		5,1 A <sup>2</sup> s t=1-10 ms
dl/dt		50 A/μs
dV/dt		40 V/μs

## Input circuit

Rated voltage	DC	5...32 V
	AC: 50/60 Hz AC/DC	24 ... 230 V
Turn-off voltage		AC: ≥ 0,2 U <sub>n</sub> DC: ≥ 0,1 U <sub>n</sub>
Rated power consumption	DC	0,3 W
	AC/DC	0,3 VA / 0,3 W
	AC/DC	1,6 VA / 1,6 W
		5...32 V DC at 24 V
		24 V AC/DC
		230 V AC/DC

## Insulation according to PN-EN 60664-1

Insulation rated voltage		600 V AC
Insulation pollution degree		2
Dielectric strength	• input - output	4 000 V AC 50/60 Hz, 1 min., type of insulation: reinforced

## General data

Operating time		10 ms max. (zero turn-on)
Release time		10 ms max.
Dimensions (L x W x H)		93,8 x 6,2 x 80 mm
Weight		40 g
Ambient temperature	• storage	-40...+70 °C
	• operating	-40...+55 °C
Protection category		IP 20 PN-EN 60529
Environmental protection		RTI PN-EN 116000-3

EUROPRODUCT 2003  
for interface relays PI6

Gold medal  
AUTOMATICON 2004  
for interface relays PI6

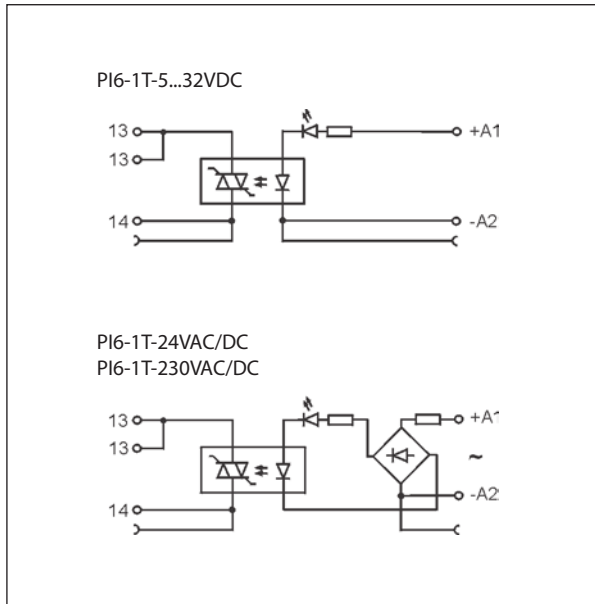


## Input data

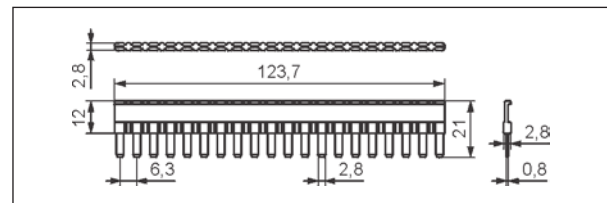
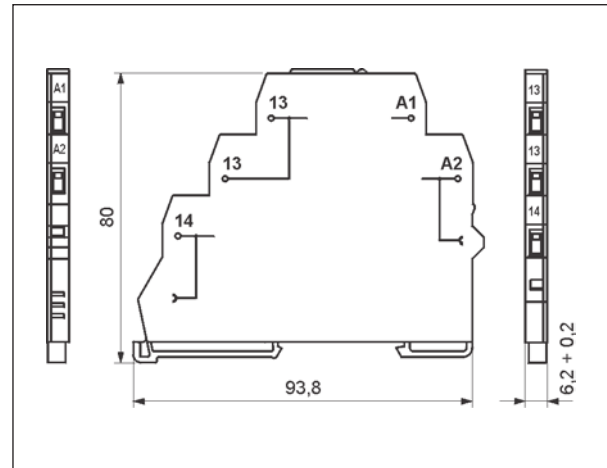
Table 1

Interface relay code	Rated input voltage $U_n$	Power of input circuit
PI6-1T-5...32VDC	5...32 V DC	0,3 W at 24 V
PI6-1T-24VAC/DC	24 V AC/DC	0,3 VA / 0,3 W
PI6-1T-230VAC/DC	230 V AC/DC	1,6 VA / 1,6 W

## Connection diagrams



## Dimensions



Interconnection strip type ZG20

## Ordering codes

Ordering codes PI6-1T are specified in Table 1, "Interface relay code" column.

## Mounting

Relays PI6-1T are designed for direct mounting on 35 mm rail mount acc. to PN-EN 60715. Connections: max. cross section of the cables:  $1 \times 2,5 \text{ mm}^2 / 2 \times 1,5 \text{ mm}^2$  (1 x 14 / 2 x 16 AWG), length of the cable deinsulation: 8 mm, max. tightening moment for the terminal: 0,3 Nm.

PI6-1T may be linked with interconnection strip type ZG20. Strip ZG20 bridges common input or output signals, maximum permissible current is 36 A / 250 V AC. Colours of strips: ZG20-1 red, ZG20-2 black, ZG20-3 blue.



Interconnection strip ZG20 :  
 bridging of common  
 input or output signals.



ZG20