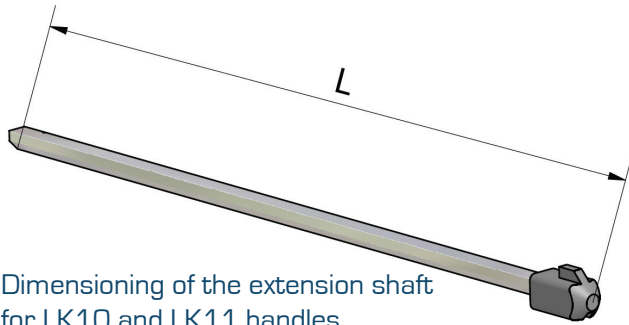
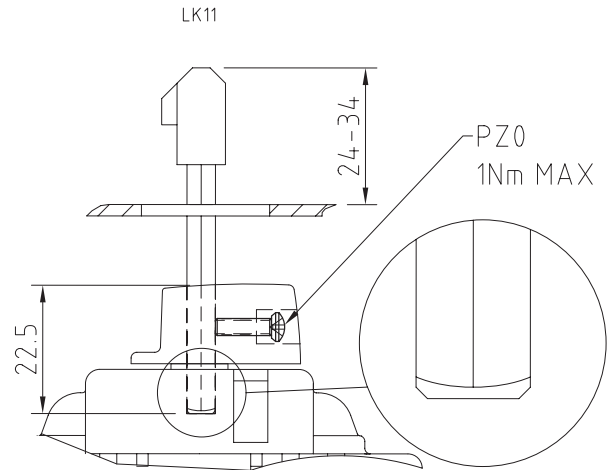
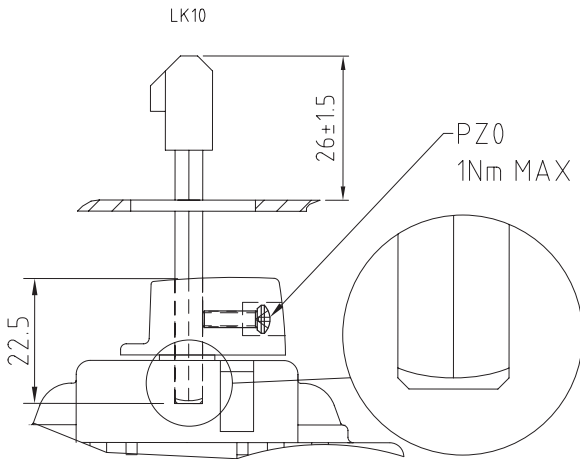


## ACCESSORIES SHAFTS

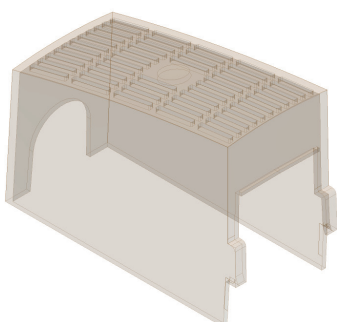


Dimensioning of the extension shaft for LK10 and LK11 handles

- With adapter AD11 for LK10 and LK11
- Length 100/200/300 mm
- Available in aluminium, steel (T), or steel and slanted (VT)
- Shafts are easy to cut to the correct length



Type	For	Description	EAN code 6419410...
<b>Handles</b>			
LK10	KU 16-160 A	Black	...222539
LK10 Y/R		Yellow/red	...222553
LK11		Black	...222607
LK11 Y/R		Yellow/red	...222614
LK11 IP69K		Black	...483060
LK11 IP69K Y/R		Yellow/red	...483077
LK12	KVKE/VKE 125-160 A, VKA 200-250 A	Black	...222683
LK12 Y/R		Yellow/red	...222690
LK13		Black	...222645
LK13 Y/R	KVKE/VKE 200-400 A	Yellow/red	...222652
LK14	KVKE/VKE 200-630 A	Black	...222669
LK14 Y/R		Yellow/red	...222676
<b>Shafts</b>			
L=100 AD11	KU/VKA, LK10 & LK11	Length 100 mm, aluminium	...253106
L=200 AD11		Length 200 mm, aluminium	...253113
L=300 AD11		Length 300 mm, aluminium	...253120
L=100 AD11/T	VKE 3125-3160, KU/VKA, LK10 & LK11	Length 100 mm, steel	...253137
L=200 AD11/T		Length 200 mm, steel	...253144
L=300 AD11/T		Length 300 mm, steel	...253151
L=100 AD11/VT	KU/VKA, LK10 & LK 11	Length 100 mm, steel, slanted	...253168
L=200 AD11/VT		Length 200 mm, steel, slanted	...253175
L=300 AD11/VT		Length 300 mm, steel, slanted	...253182
L=100 AD12/T	VKE 125-160 A, KVKE 63-160 A, LK12	Length 100 mm, steel	...253045
L=200 AD12/T		Length 200 mm, steel	...253052
L=300 AD12/T		Length 300 mm, steel	...253069
LVK=228	KVKE/VKE 200-630 A, LK13 & LK14	Length 228 mm, steel	...221440
LVK=320		Length 320 mm, steel	...221426



## TERMINAL COVERS

Type	For	EAN code 6419410...
<b>Terminal covers</b>		
LS 125	KVKE 63-160 A / VKE 125-160 A	...286937
LS 250	KVKE & VKE 200-250 A	...287729
LS 400	KVKE & VKE 400 A	...287866
LS 630	KVKE & VKE 630A	...284957