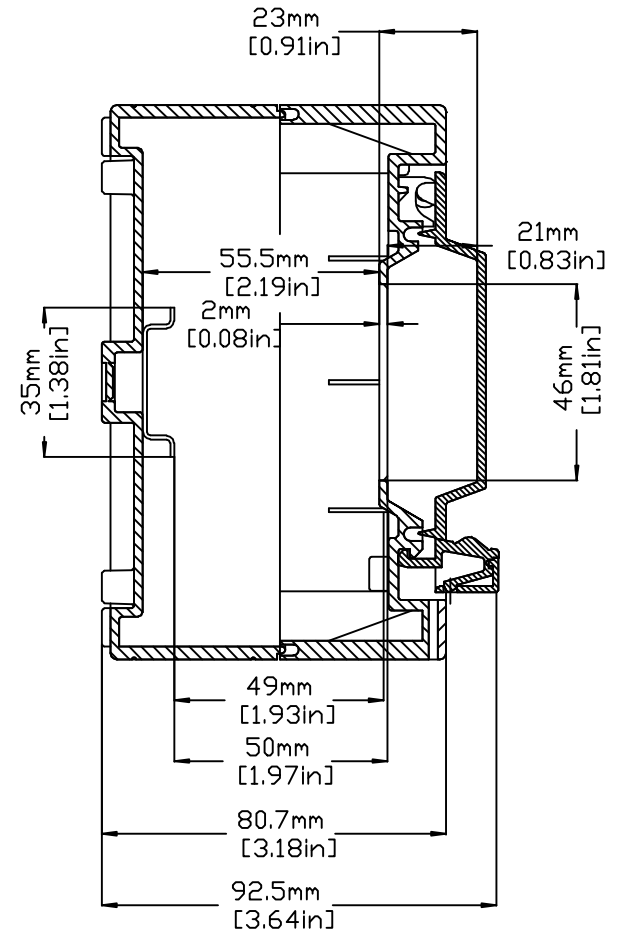
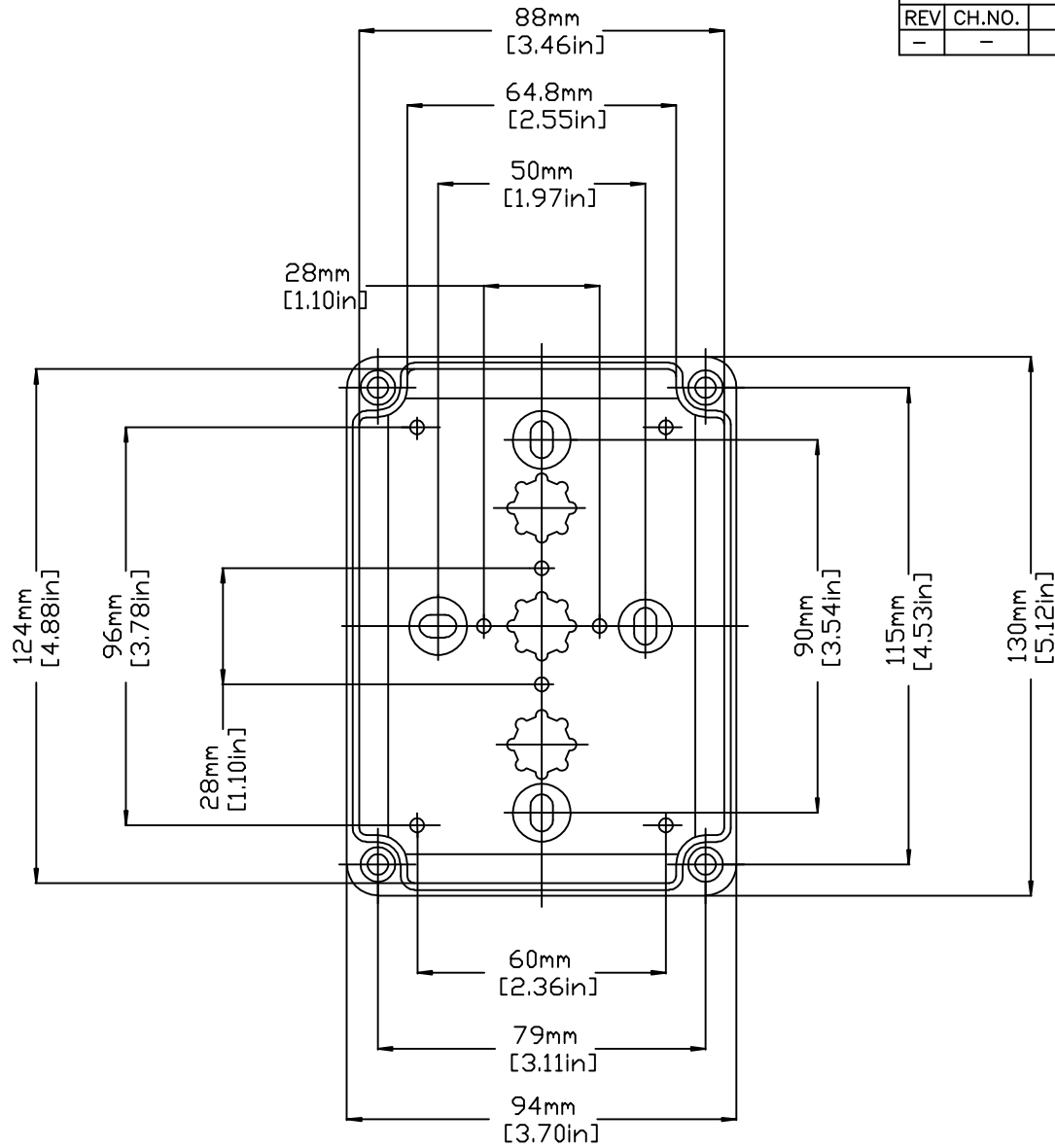


REVISIONS FOR DWG # 3EN-3IS-EK-EK002

REV	CH.NO.	DESCRIPTION	DATE	REVISED BY
-	-	ORIGINAL DESIGN	08/01/11	ROLAND G



UNLESS OTHERWISE SPECIFIED
 • ALL DIMENSIONS ARE IN MILLIMETERS
 • THIRD ANGLE PROJECTION

• TOLERANCE	
XX	± XX mm
XX.X	± XX mm
XX.XX	± XX mm
ALL	± XX mm

This Drawing is the property of

Altrech Corp.

35 Royal Road
 Flemington NJ 08822-6000
 (908) 806-9400 • Fax (908) 806-9490

AND IS A CONFIDENTIAL DISCLOSURE LENT WITHOUT CONSIDERATION OTHER THAN THE BORROWER'S AGREEMENT THAT IT SHALL NOT BE REPRODUCED, COPIED, LENT, OR DISPOSED OF DIRECTLY OR INDIRECTLY NOR USED FOR ANY PURPOSE OTHER THAN THAT FOR WHICH IT IS SPECIFICALLY FURNISHED.

TITLE: POLYSTYRENE/ POLYCARBONATE ENCLOSURE EK002

DRAWN BY: ROLAND GYORGYPAL	08/01/2011
CHECKED BY: JEFF ROYE	08/01/2011
RELEASED BY: LASZLO G.	08/01/2011

DRAWING NO.:
3EN-3IS-EK-EK002

REV.:
-

SCALE: -

SHEET: 1 OF: 1